



PROFESSIONAL LOUDSPEAKERS

MVP Series II / MVP12M

TWO-WAY MONITOR LOUDSPEAKER WITH 90° X 40° HF HORN

SPECIFICATIONS (See notes 1 and 2)

Loudspeaker Type: Two-way, full-range
Operating Range: 70 Hz - 16 kHz
 80 Hz - 14 kHz (+/-5.5dB)
Max Input Ratings: 150W continuous, 375W Program
 35 volts RMS, 77 volts momentary peak

Recommended Power Amplifier:

For maximum SPL: 300W to 450W @ 8 Ohms

Sensitivity 1W/1m:

94 dB SPL (80 Hz - 12.5 kHz 1/3 octave bands)
 94 dB SPL (250 Hz - 4 kHz speech range)

Maximum Output: 116 dB SPL / 123 dB SPL (peak)

Nominal Impedance: 8 Ohms

Min Impedance: 3.8 Ohms @ 10660 Hz

Nominal -6dB Beamwidth:

90° H (+4° / -42°, 2 kHz - 12.5 kHz)
 40° V (+17° / -16°, 2 kHz - 12.5 kHz)

Axial Q / DI: 19.9 / 13, 2 kHz - 12.5 kHz

Crossover Frequency: 2 kHz

Recommended Signal Processing: 70Hz high pass filter

Drivers: LF (1) 12"

HF (1) HF20 compression driver,
 non-metallic diaphragm, Ferrofluid-cooled

Driver Protection: Dyna-Tech

Input Connection: (2) 1/4" jacks, (2) Locking Connectors

Controls: Mid-Range Boost Switch

Enclosure: MDF

Enclosure Hardware: (2) Recessed handles
 (6) Interlocking corner protectors
 (4) Rubber feet

Mounting / Rigging Provisions: None

Grille: 16 gauge perforated steel

Required Accessories: None

Supplied Accessories: None

Optional Accessories: None

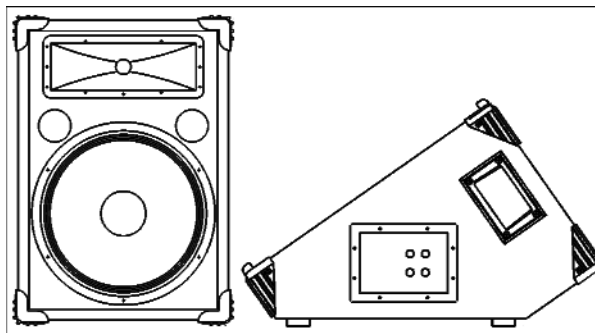
Dimensions: Height: 20.4 in. / 518 mm
 Width: 14.5 in. / 368 mm
 Depth: 13.8 in. / 351 mm
 Front slope: 35° from horizontal

Weight: 30 lb. / 13.6 kg

Shipping Weight: 34 lb. / 15.4 kg

1. Sensitivity: Free field pink noise measurement at 40 ft / 12.2 m at 50% power; extrapolated to 1 meter and an input of 2.83 volts RMS.

2. Watts: All wattage figures are calculated using the rated nominal impedance.



APPLICATIONS:

- SOUND REINFORCEMENT/PORTABLE PA
- CLUBS/DJ
- BANDS
- HOUSES OF WORSHIP
- PERMANENT INSTALLATION
- SPORT FACILITIES & HEALTH CLUBS
- RENTAL SYSTEMS
- KARAOKE

FEATURES:

- SIGNAL PRESENT LED
- DYNA-TECH HF DRIVER PROTECTION
- HF20 LOW MASS FERROFLUID-COOLED NON-METALLIC DIAPHRAGM
- HEAVILY BRACED MDF CONSTRUCTION
- TWO 1/4" INPUT CONNECTORS, AND TWO LOCKING CONNECTORS
- RECESSED HANDLES
- 16 GAUGE STEEL GRILLES
- MID-RANGE CONTOUR SWITCH

DESCRIPTION

The MVP12M is a high output, super-compact, two-way stage monitor system. The system utilizes one HF20 proprietary high-frequency compression driver coupled to an exponential horn and one 12" woofer for high sensitivity and excellent power handling capability. These components are matched to an extremely low-profile enclosure of an optimally tuned, direct radiating, bass reflex design. The recessed handles, black carpet exterior, perforated steel grille, and injection molded corners make this system attractive, rugged and easily transportable.

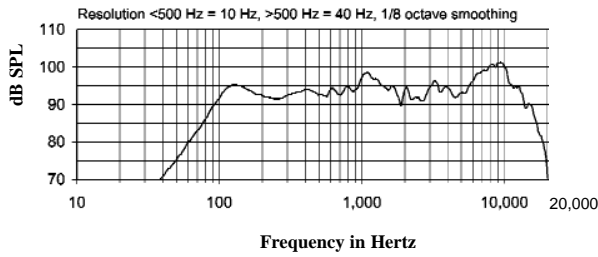
The MVP12M offers a robust internal crossover with Dyna-Tech Dynamic HF Driver Protection. The crossover is built to last with high quality inductors, precision wound coils and military grade circuit boards. The proprietary Dyna-Tech Dynamic HF Driver Protection circuit provides both over-current and thermal protection for added performance and reliability.

Designed as a high performance stage monitor, the MVP12M offers the clarity and detail necessary for critical live performance use. In addition, its smooth, peak-free response provides maximum gain before feedback ensuring capability for high on-stage sound pressure levels. The compact, low-profile design makes the MVP12M ideal for TV broadcast, house of worship and other applications where stage equipment must be as unobtrusive as possible, yet provide fully professional performance.

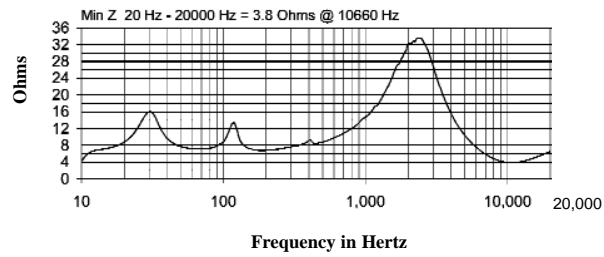


For more information or to order call
1-800-426-8664 or visit www.ccisolutions.com

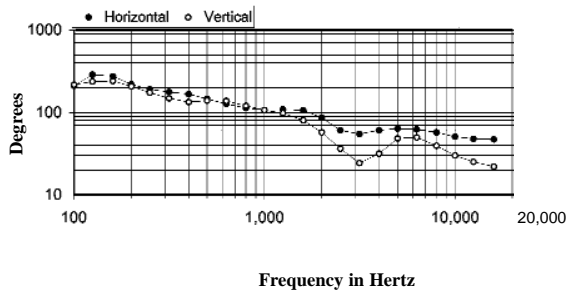
Frequency Response



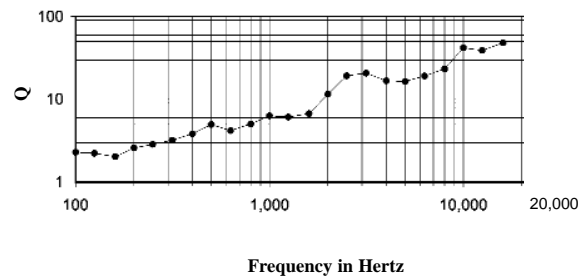
Impedance



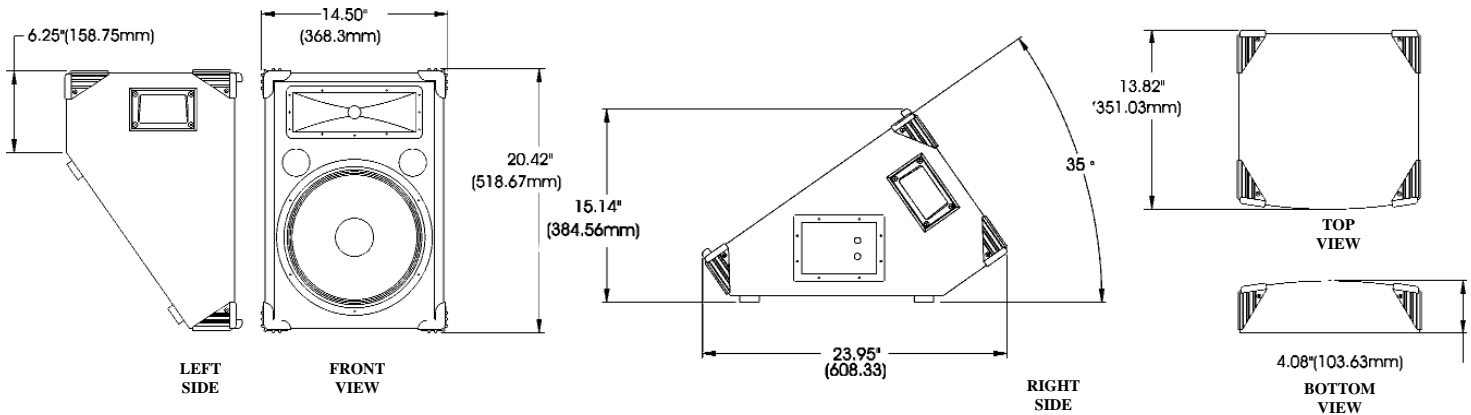
Beamwidth



Axial Q



DIMENSIONS



ARCHITECTS AND ENGINEERS SPECIFICATIONS

The loudspeaker system shall be a two-way, full-range stage monitor design with one 12" woofer and one 3/4" exit HF driver with a non-metallic diaphragm mounted to a 90° H x 40° V molded horn. Drivers shall be connected to an integral crossover with a crossover frequency of 2 kHz and a HF driver over-current and thermal protection circuitry. There shall be two 1/4" phone jacks and two locking connectors. The loudspeaker enclosure shall be black carpeted MDF construction with a 16 gauge perforated steel grille. The system shall have an amplitude response of 80 Hz to 14 kHz (+/- 5.5 dB), input capability of 35V RMS, 94 dB sensitivity at one meter and 2.83 V/8 ohms nominal impedance. The nominal dispersion shall be 90° H x 40° V from 2 kHz to 12.5 kHz. The loudspeaker shall be 20.4" (518.6 mm) H x 14.5" (368 mm) W x 13.8" (351 mm) D and weigh 30 lbs (13.6 kg).

LIMITED WARRANTY

Community MVP loudspeakers are guaranteed to be free from defects in materials and workmanship from the original date of sale for a period of five years in the U.S.A and worldwide. This warranty is automatically transferable to any and all owners during the specified period. For complete warranty information, consult the product owners manual or call (610) 876-3400 for a copy.