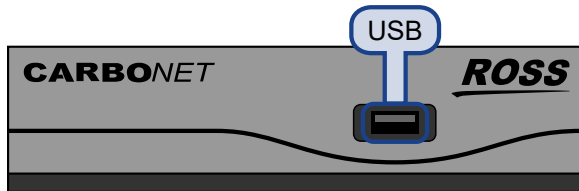


CarboNET

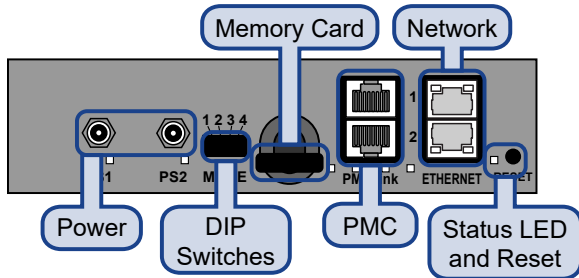
The CarboNET PMC translator allows you to connect the control panel to the frame over ethernet. The control panel connects to the CarboNET over the standard serial link and then the CarboNET connects to the frame over ethernet.

Note: The CarboNET requires the frame to have a fixed IP address so that it can connect to the frame. The frame must either be set to a static IP address, or your DHCP server must be set to always give the frame the same IP address.

Ports



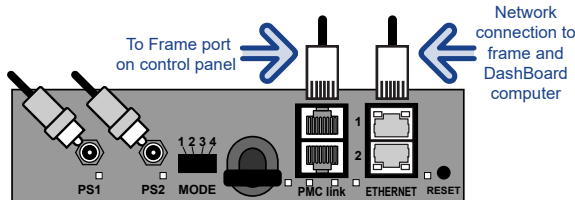
Note: The USB and ethernet 2 ports are not available at this time. Only one PMC port can be used at a time.



Power and Cabling



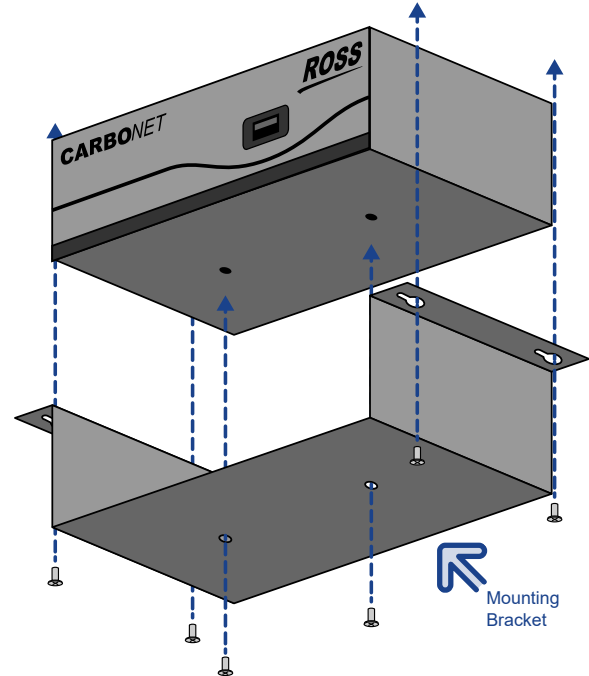
Important: The cable to the control panel must be CAT5e, or higher, Shielded Twisted Pair to a maximum of 200m.



Note: It is recommended that you always connect the AC Power Adapter to the device before connecting to Mains Power.

Desk Mounting

CarboNET can be mounted under a desk using the provided mounting bracket.



DIP Switches Control Panel DIP Switches

The up position for the DIP switch is OFF.

DIP1	DIP2	DIP3	DIP4	Function
OFF	OFF			User IP Settings
OFF	ON			Force DHCP IP
ON	OFF			Force Static IP (192.168.0.129)
ON	ON			reserved
		OFF		reserved
		ON		reserved
			OFF	Default Boot
			ON	Boot from memory card



Note: When you force the static IP, the IP address of the frame is also set (192.168.0.123).

Restart and Status LED

Press and hold the **RESET** button to restart the unit. The Status LED changes colors to indicate the status.

- **Off** — no power connected
- **Red** — Booting
- **Blinking** — Upgrading
- **Green** — Normal

CarboNET Network Settings

By default, the CarboNET uses DHCP to automatically obtain an IP address. You can manually set a static IP address, network mask, and default gateway if your network does not have a DHCP server or if you need to set a static IP.

The CarboNET is automatically discovered in DashBoard and appears as **CarbonitePanel** followed by the MAC address of that particular CarboNET.

To Configure the Network Setting

1. Double-click on the **CarbonitePanel** node and click on the **Ethernet** tab.

*Note: The **Current DIP Switch** field shows the state of the DIP1 and DIP2 switches on CarboNET the control panel. Some settings do not allow you to change the IP settings from DashBoard.*

2. Click a **Method** button to select whether to use a static IP address (**Static**), or obtain an IP address (**DHCP**).
3. For a static IP address, enter the IP address (**IP Address**), subnet mask (**Subnet Mask**), and gateway (**Default Gateway**) you want to use.
4. In the **Carbonite IP Address** field, enter the IP address of the frame you are connecting to.
5. Click a **Panel ID** button to select whether you want to assign the panel as the master panel (**Master**), or one of the satellite panels (**Sat. 1** or **Sat. 2**). The panel id sets what permissions the control panel has to the resources on the frame.
6. Click **Apply Changes**.

To Assign a Custom Name

The name appears in the tree view in DashBoard and allows you to easily identify your particular device.

1. Double-click on the **CarbonitePanel** node and click on the **Panel Name, Permissions** tab.
2. In the **Panel Name** field, enter the new name.

Additional Settings

Additional settings allows you to set alarms for power supply failures, permissions to change settings in DashBoard, or to restore default settings.

To Edit Permissions

You can lock the settings to prevent other users from changing them.

1. Double-click on the **CarbonitePanel** node and click on the **Panel Name, Permissions** tab.
2. On the **Edit Permission** list, click **Unlocked** to allow all the parameters to be set, or **Locked** to lock all parameters except this one.

To Set an Alarm

The alarm notifies users in DashBoard that a power supply is failing.

1. Double-click on the **CarbonitePanel** node and click on the **Alarm Enables** tab.
2. Select the alarms that you want to enable.
 - **PSU1 Voltage Out of Range** — alarm if power supply 1 is out of the safe acceptable voltage range
 - **PSU2 Voltage Out of Range** — alarm if power supply 2 is out of the safe acceptable voltage range

To Restore Default Settings

All settings, except for the network settings, can be defaulted back to the factory settings.

1. Double-click on the **CarbonitePanel** node and click on the **Load/Save** tab.

2. Click **Load Factory Default**.

Note: All setting, except the network settings, are defaulted.

