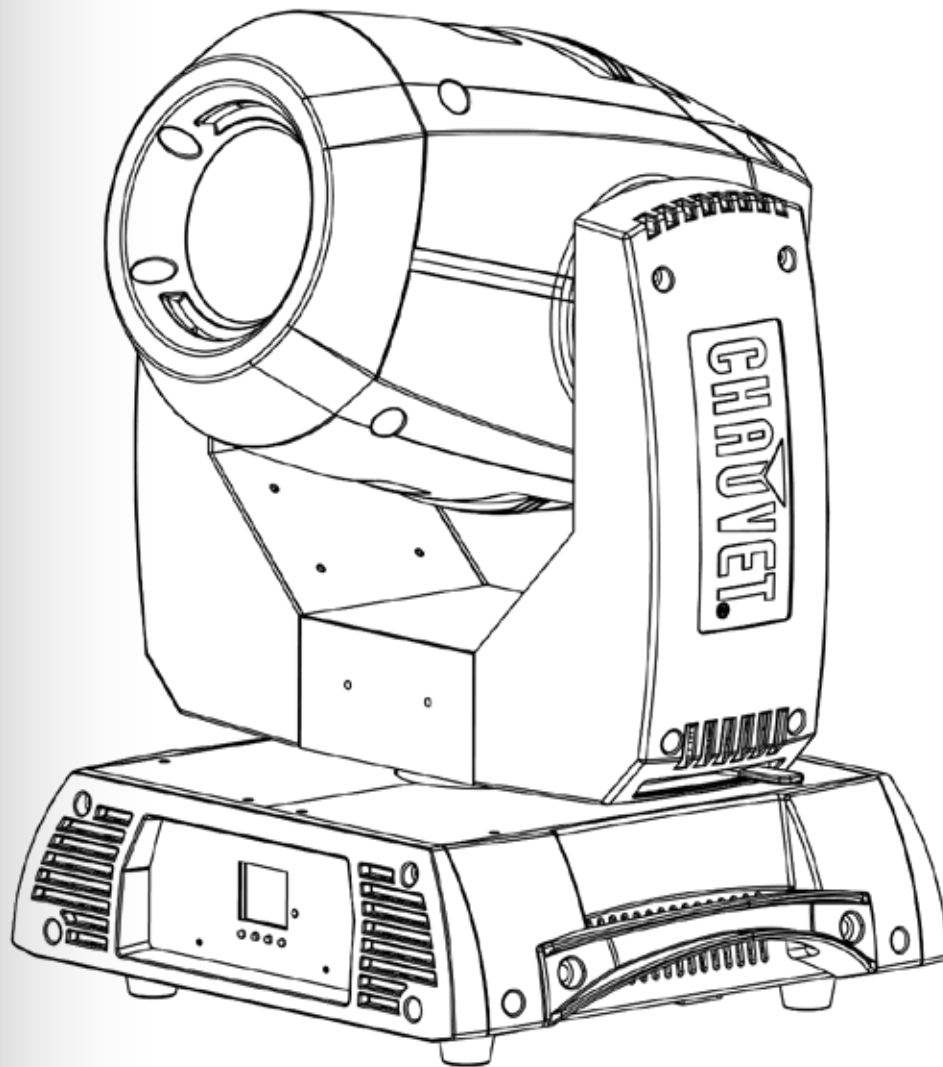


# ROGUE



## User Manual



**Edition Notes** The Rogue R2X Spot User Manual Edition Rev. 3 covers the description, safety precautions, installation, programming, operation, and maintenance of the Rogue R2X Spot as of this edition release.

**Trademarks** CHAUVET, the Chauvet logo and Rogue R2X Spot are registered trademarks or trademarks of Chauvet & Sons, LLC (d/b/a Chauvet and Chauvet Lighting) in the United States and other countries. Other company and product names and logos referred to herein may be trademarks of their respective companies.

**Copyright Notice** Chauvet owns the content of this User Manual in its entirety, including but not limited to pictures, logos, trademarks, and resources.

© **Copyright 2018 Chauvet. All rights reserved.**

Electronically published by Chauvet in the United States of America.

**Manual Use** Chauvet authorizes its customers to download and print this manual for professional information purposes only. Chauvet expressly prohibits the usage, copy, storage, distribution, modification, or printing of this manual or its content for any other purpose without written consent from Chauvet.

**Document Printing** For better results, print this document in color, on letter size paper (8.5 x 11 in), double-sided. If using A4 paper (210 x 297 mm), configure your printer to scale the content accordingly.

**Intended Audience** Any person in charge of installing, operating, and/or maintaining this product should completely read through the guide that shipped with the product, as well as this manual, before installing, operating, or maintaining this product.

**Disclaimer** Chauvet believes that the information contained in this manual is accurate in all respects. However, Chauvet assumes no responsibility for any errors or omissions in this document. Chauvet reserves the right to revise and make changes to the content of this document without obligation that Chauvet notify any person or company of such revision or changes. This does not in any way constitute a commitment by Chauvet to make such changes. Chauvet may issue a revision of this manual or a new edition to incorporate such changes.

# Table of Contents

- 1. Before You Begin ..... 1**
  - What Is Included ..... 1
    - Claims ..... 1
    - Manual Conventions ..... 1
    - Symbols ..... 1
  - Product At A Glance ..... 2
  - Safety Notes ..... 2
    - Personal Safety..... 2
    - Mounting And Rigging..... 2
    - Power And Wiring ..... 2
    - Operation ..... 2
- 2. Introduction ..... 3**
  - Description ..... 3
  - Features ..... 3
  - Overview ..... 4
  - Dimensions ..... 5
- 3. Setup ..... 6**
  - AC Power ..... 6
    - AC Plug..... 6
    - Fuse Replacement..... 6
  - Power Linking ..... 6
  - DMX Linking..... 6
    - DMX Personalities..... 7
  - RDM (Remote Device Management) ..... 7
  - Gobo Wheel ..... 8
    - Gobo Replacement ..... 9
  - Color Wheel ..... 11
  - Mounting ..... 12
    - Orientation ..... 12
    - Rigging..... 12
    - Procedure ..... 12
- 4. Operation ..... 13**
  - Control Panel Description ..... 13
    - Control Options ..... 13
    - Programming..... 13
  - Menu Map ..... 14
  - Menu Map (Cont.) ..... 15
  - Address ..... 16
    - Set the DMX Address..... 16
  - Run Mode ..... 16
    - DMX Personality ..... 16
    - Auto Test..... 16
    - Manual Test ..... 16
  - Setup..... 17
    - Pan Reverse ..... 17
    - Tilt Reverse ..... 17
    - Screen Reverse ..... 17
    - Pan Angle ..... 17
    - Tilt Angle ..... 17
    - Pan and Tilt Movement BlackOut..... 17
    - Color Movement BlackOut ..... 17
    - Gobo Movement BlackOut ..... 17
    - LED Frequency ..... 17

LED Power .....	17
Reset Function .....	18
Factory Reset Function .....	18
<b>System Information .....</b>	<b>19</b>
RDM .....	19
<b>Offset Mode .....</b>	<b>19</b>
Pan .....	19
Tilt .....	19
Gobo .....	19
Gobo Rotate .....	19
Gobo 2 .....	19
Color 1 .....	19
Color 2 .....	19
Prism .....	19
Focus .....	19
Iris .....	19
Frost .....	19
Dimmer .....	19
FO. Yellow Edge .....	19
DMX Values .....	20
DMX Values (Cont.) .....	21
DMX Values (Cont.) .....	22
DMX Values (Cont.) .....	23
DMX Values (Cont.) .....	24
DMX Values (Cont.) .....	25
<b>5. Technical Information .....</b>	<b>26</b>
Product Maintenance .....	26
<b>6. Technical Specifications .....</b>	<b>27</b>
Photometrics Chart .....	28
Returns .....	29
<b>Contact Us .....</b>	<b>30</b>

# 1. BEFORE YOU BEGIN




- What Is Included**
- Rogue R2X Spot
  - Neutrik® powerCON® power cord
  - 2 Omega brackets with mounting hardware
  - Warranty Card
  - Quick Reference Guide

**Claims** Carefully unpack the product immediately and check the box to make sure all the parts are in the package and are in good condition. If the box or the contents (the product and included accessories) appear damaged from shipping or show signs of mishandling, notify the carrier immediately, not Chauvet. Failure to report damage to the carrier immediately may invalidate your claim. In addition, keep the box and contents for inspection. For other issues, such as missing components or parts, damage not related to shipping, or concealed damage, file a claim with Chauvet within 7 days of delivery.

**Manual Conventions**

Convention	Meaning
1–512	A range of values in the text
50/60	A set of mutually exclusive values in the text
<SET>	A button on the product’s control panel
Settings	A product function or a menu option
MENU>Settings	A sequence of menu options
1–10	A range of menu values from which to choose in a menu
Yes/No	A set of two mutually exclusive menu options in a menu
ON	A unique value to be entered or selected in a menu

**Symbols**

Symbols	Meaning
	Critical installation, configuration, or operation information. Failure to comply with this information may cause the product not to work, damage third-party equipment, or cause harm to the operator.
	Important installation or configuration information. Failure to comply with this information may keep the product from working.
	Useful information.



The term “DMX” used throughout this manual refers to the USITT DMX512-A digital data transmission protocol.

<b>Product At A Glance</b>	Use on Dimmer	X	Auto Programs	X
	Outdoor Use	X	Auto-Ranging Power Supply	P
	Sound-Activated	X	Replaceable Fuse	P
	DMX	P	User-Serviceable	X
	Master/Slave	X		

**Safety Notes**

Read all the following Safety Notes before working with this product. These notes include important information about the installation, usage, and maintenance of this product.



**This product contains no user-serviceable parts. Any reference to servicing in this User Manual will only apply to properly trained Chauvet certified technicians. Do not open the housing or attempt any repairs.**



**All applicable local codes and regulations apply to proper installation of this product.**

**Personal Safety**

- Avoid direct eye exposure to the light source while the product is on.
- Always disconnect this product from its power source before servicing.
- Always connect this product to a grounded circuit to avoid the risk of electrocution.
- Do not touch this product's housing during operation because it may be very hot.

**Mounting And Rigging**

- This product is for indoor use only! To prevent risk of fire or shock, do not expose this product to rain or moisture. (IP20)
- CAUTION: When transferring product from extreme temperature environments, (e.g. cold truck to warm humid ballroom) condensation may form on the internal electronics of the product. To avoid causing a failure, allow product to fully acclimate to the surrounding environment before connecting it to power.

**Power And Wiring**

- Mount this product in a location with adequate ventilation, at least 20 in (50 cm) from adjacent surfaces.
- This product weighs 47.8 lb (21.7 kg). Always ask for help when mounting this product to avoid personal injuries or damage to the product.
- Make sure there are no flammable materials close to this product while it is operating.
- Always carry this product by the handles. Do not carry from the head.
- When hanging this product, always secure to a fastening device using a safety cable.
- Always make sure you are connecting this product to the proper voltage in accordance with the specifications in this manual or on the product's specification label.
- Never connect this product to a dimmer pack or rheostat.
- Never disconnect this product by pulling or tugging on the power cable.

**Operation**

- Do not operate this product if you see damage to the housing, lenses, or cables. Have the damaged parts replaced by an authorized technician at once.
- To eliminate unnecessary wear and improve its lifespan, during periods of non-use completely disconnect the product from power via breaker or by unplugging it.
- Do not cover the ventilation slots when operating to avoid internal overheating.
- Do not aim this product toward the Sun. The lenses could concentrate the solar energy and cause internal overheating.
- The maximum ambient temperature is 113 °F (45 °C). Do not operate this product at a higher temperature.
- In case of a serious operating problem, stop using this product immediately!



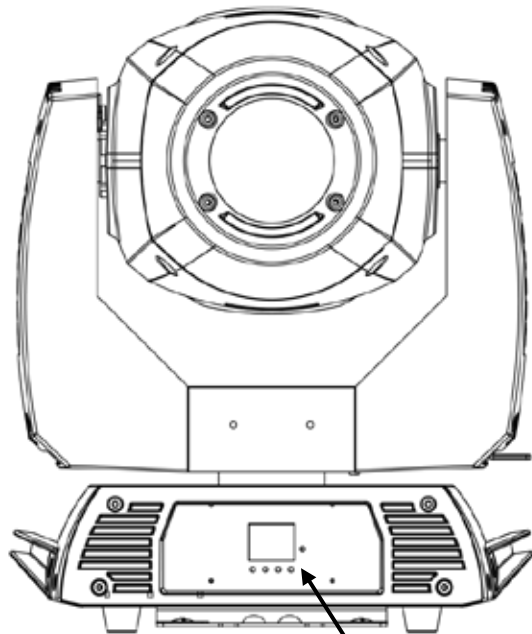
**In the unlikely event that your Chauvet product may require service, contact Chauvet Technical Support.**

## 2. INTRODUCTION

**Description** The Rogue R2X Spot is a compact, electronic, moving yoke product equipped with a 300-watt LED. It includes 2 color wheels, each with 7 colors plus white and 2 gobo wheels for gobo morphing. It also includes a rotating 3-facet prism, remote focus, frost and iris.

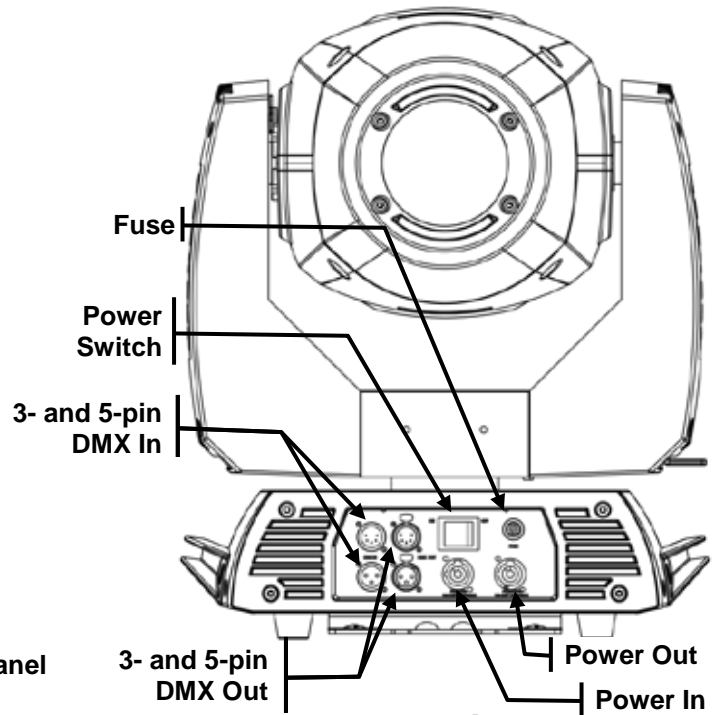
- Features**
- Compact, moving yoke fixture with a prism and motorized focus
  - Precision-designed optics for hard-edged effects
  - Extremely quiet for operation in any situation
  - Color wheel 1:
    - 7 colors + Open (white)
    - Split/linear colors
    - Rainbow color spin at variable speed
  - Color wheel 2:
    - 7 colors + Open (white)
    - Split/linear colors
    - Rainbow color spin at variable speed
  - Gobo wheel 1:
    - 7 slot-n-lock gobos + Open
    - Indexed, rotating gobo wheel with gobo shake
    - Interchangeable
    - Gobo wheel spin at variable speed
  - Gobo wheel 2:
    - 8 gobos + Open
    - Gobo wheel spin at variable speed
  - Variable frost
  - 3-facet rotating prism
  - DMX channels: 18 or 21
  - Pan: 540°
  - Tilt: 250°
  - Reset over DMX
  - Electronic power supply
  - RDM enabled for remote addressing and trouble shooting
  - 3- and 5-pin DMX input and output connectors
  - Selectable LED maximum output to match legacy Rogue R2 Spots
  - Selectable PWM settings to maintain flicker free operation on camera
  - Simple and complex DMX channel profiles for programming versatility

## Overview

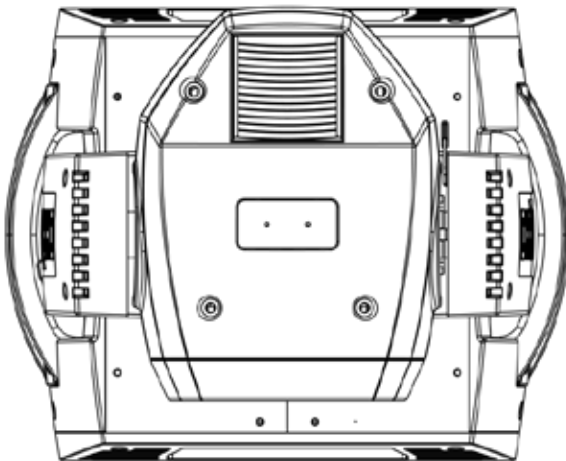


Control Panel

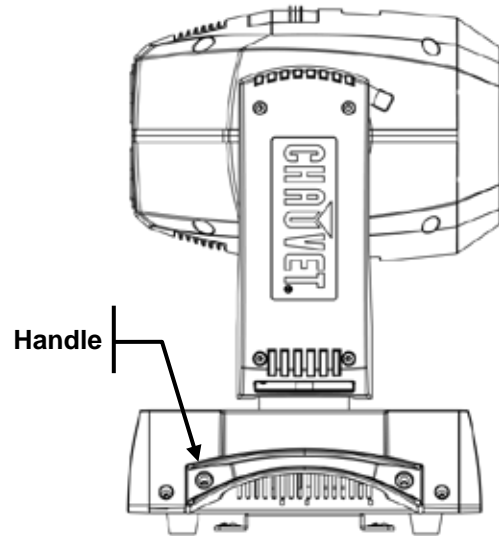
**Front View**



**Rear View**



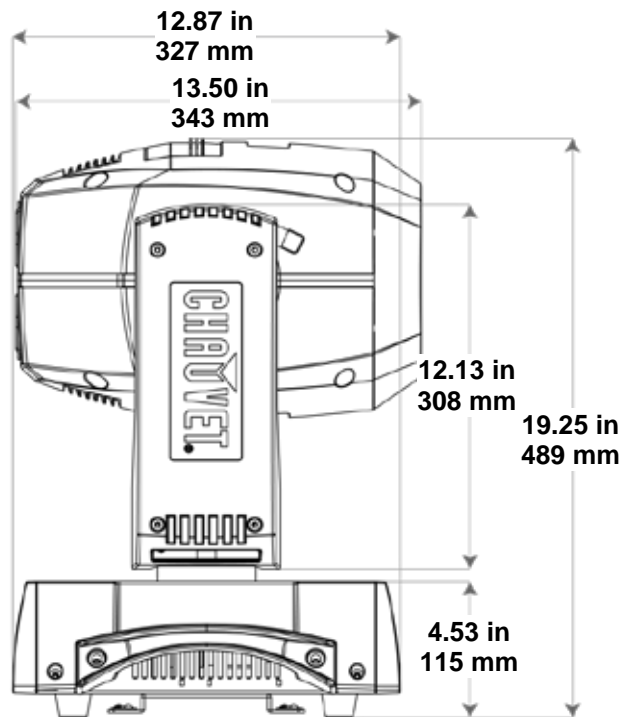
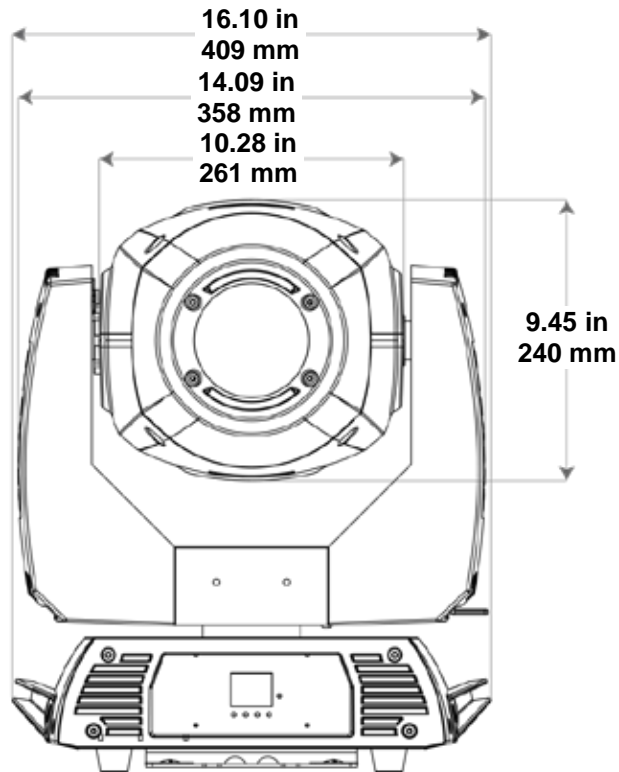
**Top View**



**Side View**



## Dimensions



## 3. SETUP

### AC Power

Each Rogue R2X Spot has an auto-ranging power supply that works with an input voltage range of 100 to 240 VAC, 50/60 Hz. To determine the power requirements for each Rogue R2X Spot, refer to the label affixed to the product. You can also refer to the [Technical Specifications](#) chart in this manual.

The listed current rating indicates the maximum current draw during normal operation. For more information, you may download Sizing Circuit Breakers from the Chauvet website: [www.chauvetlighting.com/download/pro](http://www.chauvetlighting.com/download/pro).



- **Always connect this product to a protected circuit with an appropriate electrical ground to avoid the risk of electrocution or fire.**
- **To eliminate unnecessary wear and improve its lifespan, during periods of non-use completely disconnect the product from power via breaker or by unplugging it.**



**Never connect this product to a rheostat (variable resistor) or dimmer circuit, even if the rheostat or dimmer channel serves only as a 0 to 100% switch.**

### AC Plug

The Rogue R2X Spot comes with a power input cord terminated with a Neutrik powerCON A connector on one end and an Edison plug on the other end (U.S. market). If the power input cord that came with your product has no plug, or if you need to change the Edison plug, use the table below to wire the new plug.

Connection	Wire (U.S.)	Wire (Europe)	Screw Color
AC Live	Black	Brown	Yellow or Brass
AC Neutral	White	Blue	Silver
AC Ground	Green/Yellow	Green/Yellow	Green

### Fuse Replacement

1. Disconnect this product from the power outlet.
2. Using a flat-head screwdriver, unscrew the fuse holder cap from the housing.
3. Remove the blown fuse and replace with another fuse of the same type and rating (F 7 A, 250 V).
4. Screw the fuse holder cap back in place and reconnect power.



**Make sure to disconnect the product's power cord before replacing a blown fuse. Always replace the blown fuse with another of the same type and rating.**

### Power Linking

The Rogue R2X Spot supports power linking. You can power link up to 3 products at 120 V; up to 6 at 208 V; or up to 7 at 230 V.

This product comes with a power input cord. Power linking cables are available from Chauvet for purchase.

### DMX Linking

You can link the Rogue R2X Spot to a DMX controller using a 3- or 5-pin DMX connection. If using other DMX-compatible products with the Rogue R2X Spot, you can control each individually with a single DMX controller.

**DMX Personalities** The Rogue R2X Spot uses a 3- or 5-pin DMX data connection for the 18- and 21-channel DMX personalities.

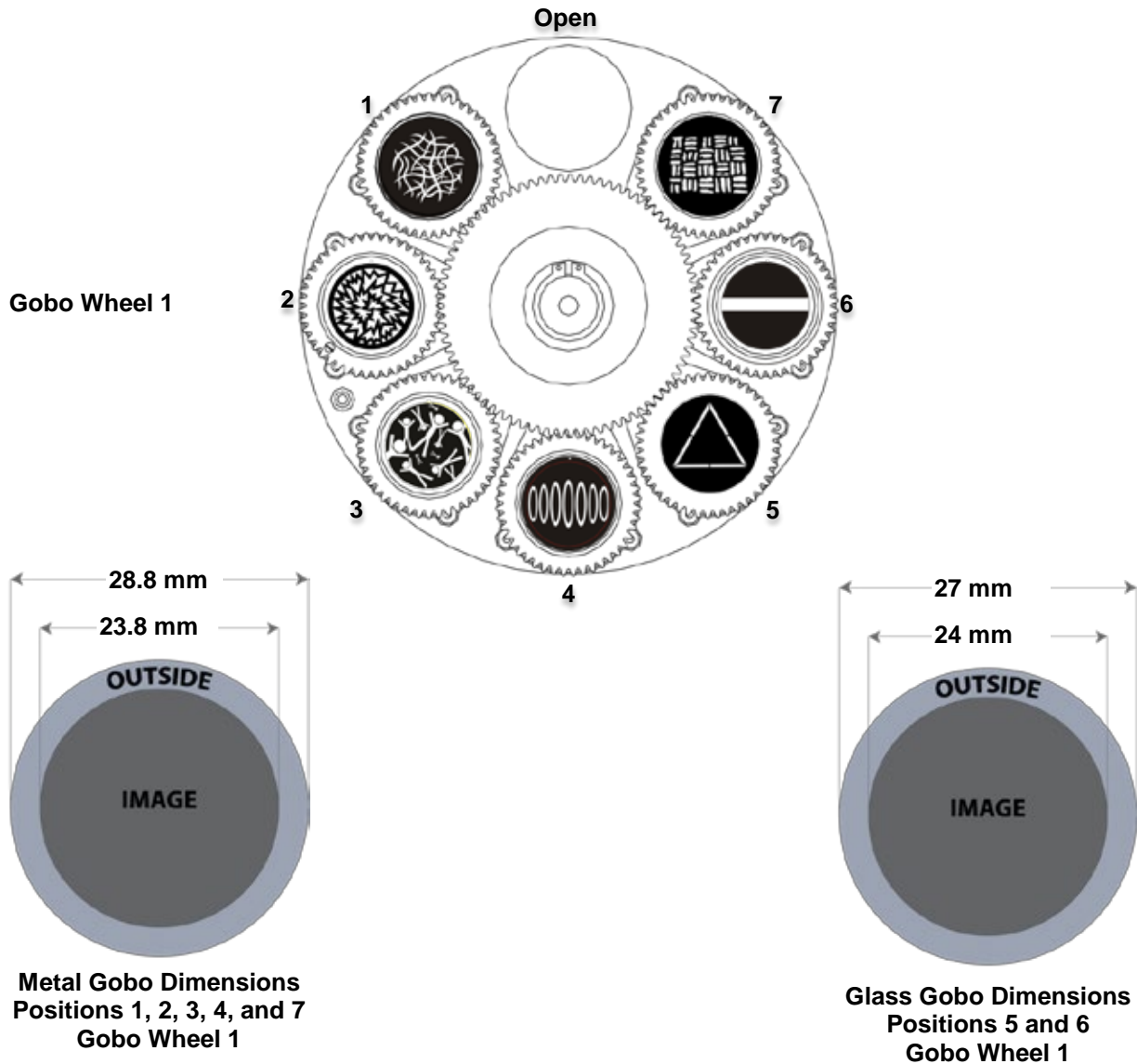
- Refer to the [Introduction](#) chapter for a brief description of each DMX personality.
- Refer to the [Operation](#) chapter to learn how to configure the Rogue R2X Spot to work in these personalities.
- The [DMX Values](#) section provides you with detailed information regarding the DMX personalities.

**RDM (Remote Device Management)** Remote Device Management, or RDM, is a standard for allowing DMX-enabled devices to communicate bi-directionally along existing DMX cabling. Check the DMX controller's User Manual or with the manufacturer as not all DMX controllers have this capability. The Rogue R2X Spot supports RDM protocol that allows feedback to make changes to menu map options. Download the User Manual from [www.chauvetprofessional.com](http://www.chauvetprofessional.com) for more details.



**If you are not familiar with or need more information about DMX standards, Master/Slave connectivity, or the DMX cables needed to link this product to a DMX controller, download the DMX Primer from the Chauvet website: [www.chauvetlighting.com/download/pro](http://www.chauvetlighting.com/download/pro).**

**Gobo Wheel** The Rogue R2X Spot includes two gobo wheels: 7 rotating gobos plus open on wheel 1 and 8 fixed gobos plus open on wheel 2. The diagram shows the gobo number on the wheel, as numbered in the [DMX Values](#) tables.



Gobo holders 5 and 6 on gobo wheel 1 are slightly smaller to accommodate glass gobos.

**Gobo Replacement**

The gobos in the Rogue R2X Spot gobo wheel 1 are removable from their gobo holders. This operation is quite simple, although it requires the technician to be careful and to follow the recommended procedure.

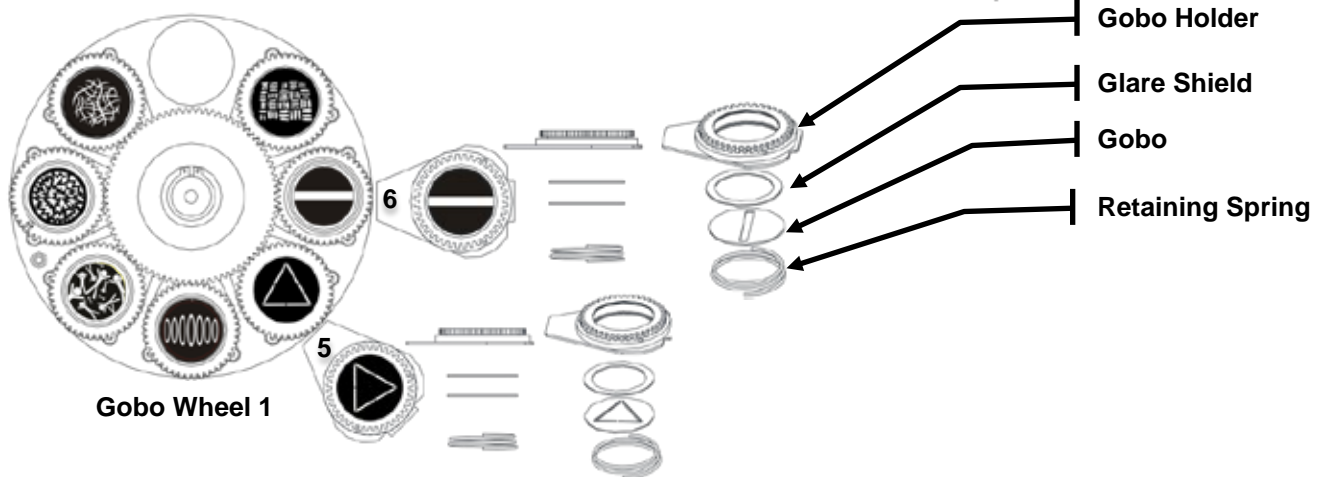
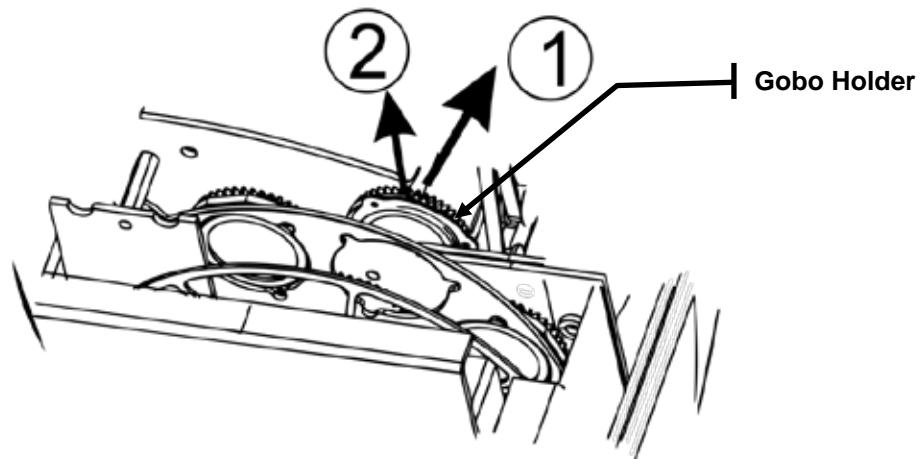


- **Make sure to disconnect the product's power cord before replacing a gobo**
- **Always replace a gobo with a gobo of the same dimensions.**
- **When inserting a glass gobo, always make sure that the shiny side of the gobo (glass base) faces the lamp. This provides a layer of protection against the high temperature from the lamp.**
- **All custom gobos in the Rogue R2X Spot gobo wheel 1 must be aluminum or glass.**

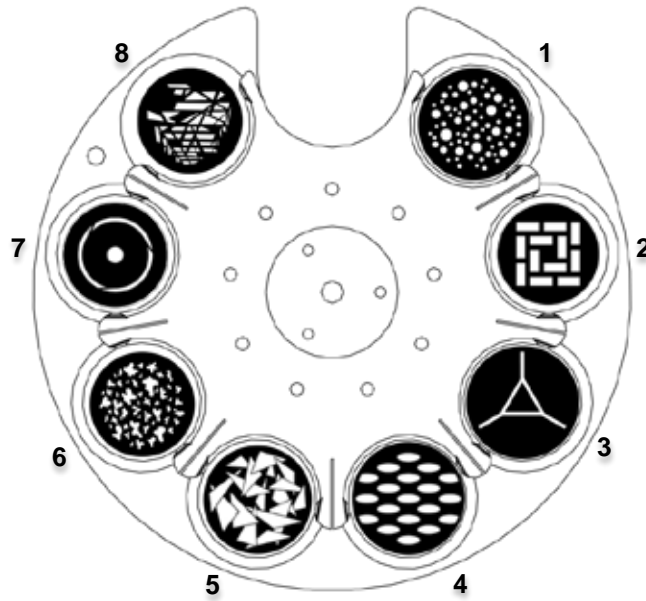
**Procedure**

1. Turn the product off and disconnect it from the power outlet.
2. Open the head cover by loosening the 4 Phillips-head ¼-turn screws on the sides of the top cover.
3. Separate the gobo holder away from the gobo wheel by pushing it toward the front of the moving head (direction 1 in the diagram). Be careful not to push the gobo out of the gobo holder.
4. Extract the gobo holder by pulling it outward (direction 2 in the diagram).
5. On a flat surface, remove the expansion ring that holds the gobo in place and remove the gobo from the gobo holder.
6. Insert a new gobo and hold it in place with the expansion ring.
7. Slide the tip of the gobo holder under the pressure plate near the center of the gobo wheel.
8. Push the gobo holder inwards. **DO NOT** force the gobo holder into the gobo wheel slot. If correctly installed, the gobo holder should easily slide itself into the gobo wheel slot.

**Gobo Replacement Diagrams**



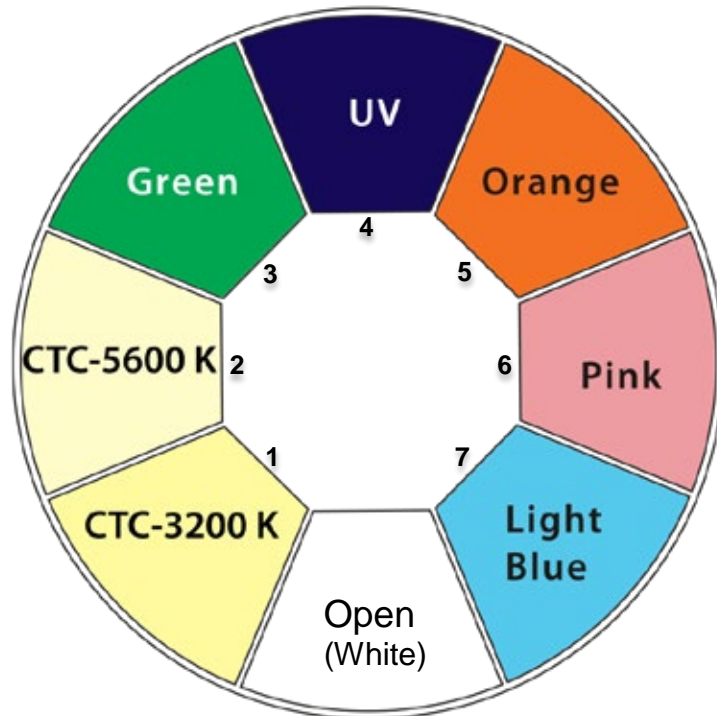
Gobo Wheel 2



The gobos on gobo wheel 2 are not removable.

**Color Wheel** The Rogue R2X Spot includes 2 color wheels with 7 fixed colors plus open (white) in each wheel, as indicated below. The diagram shows the color name on the wheel, as shown in the [DMX Values](#) tables.

Color Wheel 1



Color Wheel 2



**Mounting** Before mounting this product, read and follow the [Safety Notes](#). For our Chauvet line of mounting clamps, go to <http://trusst.com/products/>.

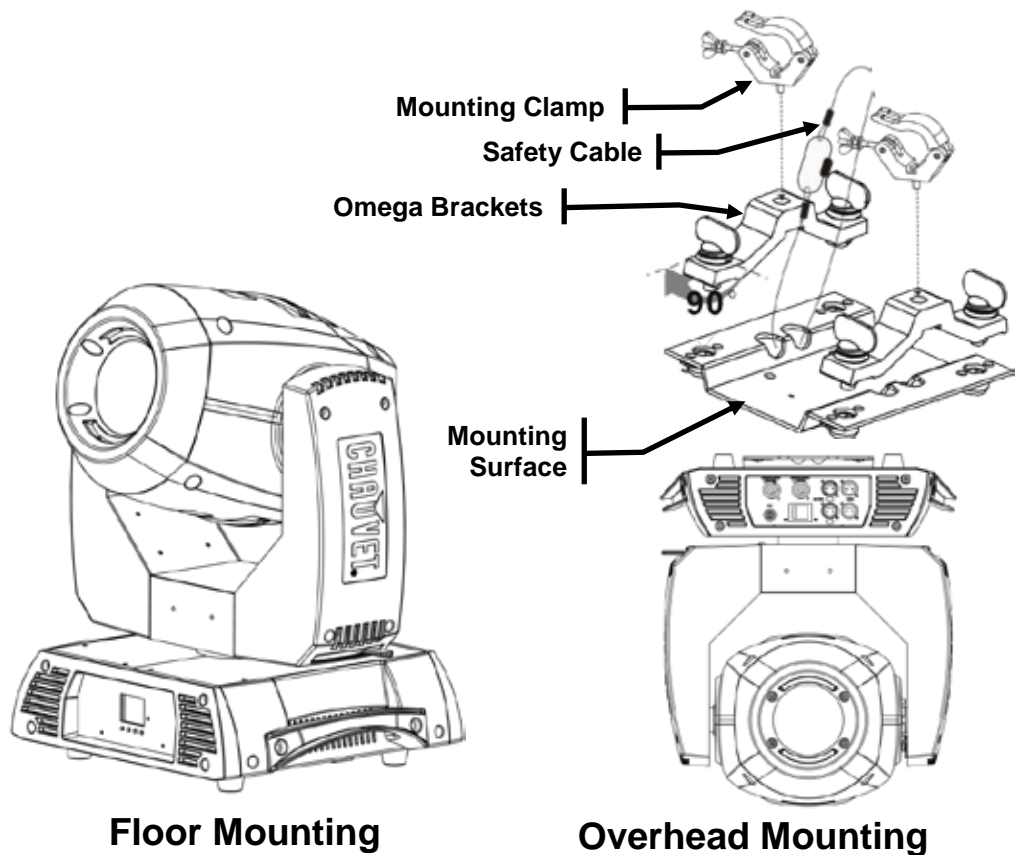
**Orientation** Always mount this product in a safe position and make sure there is adequate room for ventilation, configuration, and maintenance.

**Rigging** Chauvet recommends using the following general guidelines when mounting this product.

- When selecting an installation location, consider easy access to this product for operation, programming adjustments, and routine maintenance.
- Make sure to mount this product away from any flammable material as indicated in the [Safety Notes](#).
- Never mount in places where rain, high humidity, extreme temperature changes, or restricted ventilation may affect the product.
- If hanging this product, make sure that the mounting location can support the product's weight. See the [Technical Specifications](#) for the weight-bearing requirements of this product.
- When hanging this product, always secure to a fastening device using a safety cable (such as **CH-05** from Chauvet).

**Procedure** The Rogue R2X Spot comes with a preinstalled mounting surface to which you will be able to attach the 2 included omega brackets. Make sure the clamps (such as **CLP-15** from Chauvet) are capable of supporting the weight of this product. Use two mounting points per product. In addition, use a safety cable to link the product to the structure.

Mounting Diagram





## 4. OPERATION

### Control Panel Description

Button	Function
<MENU>	Exits from the current menu or function
<ENTER>	Enables the currently displayed menu or sets the currently selected value in to the current function
<UP>	Navigates upward through the menu list or increases the numeric value when in a function
<DOWN>	Navigates downward through the menu list or decreases the numeric value when in a function

### Control Options

You can set the Rogue R2X Spot starting address in the **001–512** DMX range. This enables control of up to 24 products in the 21-channel **21CH** personality.

### Programming

Refer to the [Menu Map](#) to understand the menu options. The menu map shows the main level and a variable number of programming levels for each option.

- To enter programming mode, press any key on the control panel to wake the opening screen. Press <MENU> until you see one of the main level options.
- To highlight a menu option or to change a setting, press <UP> or <DOWN>.
- To change menu levels as shown in the [Menu Map](#), press <ENTER> or <MENU>. This is equivalent to moving right and left of the Menu Map, respectively.
- To accept the current or new value, press <ENTER>.
- To return to the previous menu without making changes, press <MENU>.
- To exit programming mode, press <MENU> until you see one of the main level options, the opening screen, or do not press any button for 30 seconds and the screen will automatically revert to the opening screen.

## Menu Map

Main Level	Programming Levels		Description	
<b>Address</b>	<b>001–512</b>		Sets the DMX starting address	
<b>Run Mode</b>	<b>DMX</b>	<b>18CH</b>	Selects the DMX mode	
		<b>21CH</b>		
	<b>Auto Test</b>		Runs the product's test sequence	
	<b>Manual Test</b>	<b>Pan</b>	<b>000–255</b>	Allows manual control of all settings from the control panel
		<b>Pan Fine</b>		
		<b>Tilt</b>		
		<b>Tilt Fine</b>		
		<b>P/T Speed</b>		
		<b>Dimmer</b>		
		<b>Dimmer Fine</b>		
		<b>Shutter</b>		
		<b>Color</b>		
		<b>Color2</b>		
		<b>Gobo</b>		
		<b>Gobo Rot</b>		
<b>Gobo2</b>				
<b>Focus</b>				
<b>Prism</b>				
<b>R-Prism</b>				
<b>Iris</b>				
<b>Frost</b>				
<b>P/T Macro</b>				
<b>P/T Ma.Speed</b>				
<b>Special Function</b>				
<b>Setup</b>	<b>Pan Reverse</b>	<b>YES</b>	Reverse pan operation	
		<b>NO</b>	Normal pan operation	
	<b>Tilt Reverse</b>	<b>YES</b>	Reverse tilt operation	
		<b>NO</b>	Normal tilt operation	

## Menu Map (Cont.)

Main Level	Programming Levels		Description	
Setup	Screen Reverse	YES	Rotates control screen view 180°	
		NO	Normal control screen view	
	Pan Angle	540	Selects the 540° pan angle range	
		360	Selects the 360° pan angle range	
		180	Selects the 180° pan angle range	
	Tilt Angle	270	Selects the 270° tilt angle range	
		180	Selects the 180° tilt angle range	
		90	Selects the 90° tilt angle range	
	BL.O.P/T Move	YES	Defines the pan/tilt move-in-black delay	
		NO		
	BL.O.ColorMove	YES	Defines the color change move-in-black delay	
		NO		
	BL.O.GoboMove	YES	Defines the gobo change move-in-black delay	
		NO		
	PWM Option	600Hz	Selects the PWM output frequency	
		1200Hz		
		6000Hz		
		15KHz		
	Fans	Auto	Change the fan speed mode	
		ECO		
	LED Power	50-100	Legacy Mode-sets the LED level to the original R1 Spot intensity	
	Reset Function	Pan/Tilt	YES	Resets pan/tilt functions to the home position
			NO	
Shutter/Prism		YES	Resets all shutter/prism functions to the home position	
		NO		
Color		YES	Resets all color functions to the home position	
		NO		
Gobo		YES	Resets all gobo functions to the home position	
		NO		
Zoom/Frost/Focus		YES	Resets the zoom, frost, and focus functions to the home position	
		NO		
All		YES	Resets all functions to the home position	
		NO		
Factory Settings	YES	Reverts the product back to the original factory settings		
	NO			
Sys Info	Ver:		Displays the software version	
	Running Mode:		Displays the current running mode	
	Dmx Address:		Displays the current DMX address	
	Temperature:		Displays the product's temperature in Celsius	
	UID:		Displays the products UID number	

**Address** This programming level sets the DMX starting address.

- Starting from the Main Level screen, select **Address**, press **<ENTER>**.

**Set the DMX Address** In this mode, each product will respond to a unique starting address from the DMX controller. All products with the same starting address will respond in unison. This option sets the products DMX address.

- Change the starting address (**001–512**), press **<ENTER>**.

**Run Mode** This programming level sets the DMX personality and controls the different test modes.

- Starting from the Main Level screen, select **Run Mode**, press **<ENTER>**.

**DMX Personality** This option selects which DMX Personality the product uses.

1. Highlight **DMX**, press **<ENTER>**.
2. Select the DMX personality **18CH** or **21CH**, press **<ENTER>**.



- See the [DMX Values](#) section for the highest starting address you can select for each personality.

- **Make sure that the starting addresses on the various products do not overlap due to the new personality setting.**

**Auto Test** This option runs every attribute individually through 1 cycle.

- Highlight **Auto Test**, press **<ENTER>**.



- **The Auto Test will end after 1 full cycle. You can stop the test by pressing <MENU> at any time.**

**Manual Test** This option allows you to run each attribute individually or as a group.

1. Highlight **Manual Test**, press **<ENTER>**.
2. Highlight the desired attribute listed on the control panel screen, press **<ENTER>**.
  - Set the attribute value (**000–255**), press **<ENTER>**.
3. Repeat step 2 for the other attributes.



- **When exiting the Manual Test level, the values of all tested channels will go back to zero.**

- Setup** This programming level controls the product's head movement, lamp adjustments, and maintenance timer.
- Starting from the Main Level screen, select **Setup**, press **<ENTER>**.
- Pan Reverse** Reverses the operation of the pan attribute.
4. Highlight **Pan Reverse**, press **<ENTER>**.
  5. Select **YES** or **NO**, press **<ENTER>**.
- Tilt Reverse** Reverses the operation of the tilt attribute.
1. Highlight **Tilt Reverse**, press **<ENTER>**.
  2. Select **YES** or **NO**, press **<ENTER>**.
- Screen Reverse** To invert the control panel screen:
1. Highlight **Screen Reverse**, press **<ENTER>**.
  2. Select **YES** or **NO**, press **<ENTER>**.
- Pan Angle** This option assigns pan range.
1. Highlight **Pan Angle**, press **<ENTER>**.
  2. Select **540**, **360**, or **180**, press **<ENTER>**.
- Tilt Angle** This option assigns tilt range.
1. Highlight **Tilt Angle**, press **<ENTER>**.
  2. Select **90**, **180**, or **270**, press **<ENTER>**.
- Pan and Tilt Movement BlackOut** This option engages the shutter to block all light output whenever the product's head is in motion.
1. Highlight **BL.O.P/T Move**, press **<ENTER>**.
  2. Select **YES** or **NO**, press **<ENTER>**.
- Color Movement BlackOut** This option engages the shutter to block all light output whenever the product's color wheel is in motion.
1. Highlight **BL.O.ColorMove**, press **<ENTER>**.
  2. Select **YES** or **NO**, press **<ENTER>**.
- Gobo Movement BlackOut** This option engages the shutter to block all light output whenever the product's gobo wheel is in motion.
1. Highlight **BL.O.GoboMove**, press **<ENTER>**.
  2. Select **YES** or **NO**, press **<ENTER>**.
- LED Frequency** This option changes the Pulse Width Modulation (PWM) frequency of the LEDs on the Rogue R2X Spot.
1. Go to the **PWM Option** main level.
  2. Choose an output frequency. (**600Hz**, **1200Hz**, **6000Hz**, or **15KHz**).
- LED Power** This option enables the product to match the light intensity of the original Rogue R2 Spot.
1. Go to the **LED POWER** main level
  2. Choose the LED intensity (**50-100**).

- Reset Function** This programming level allows the user to reset individual functions to the home position.
- Starting from the **Setup** screen level, select **Reset Function**, press **<ENTER>**.
- Pan/Tilt Reset** This option resets the Pan/Tilt functions to the home position.
1. Highlight **Pan/Tilt**, press **<ENTER>**.
  2. Select **YES** or **NO**, press **<ENTER>**.
- Prism Reset** This option resets the Prism functions to the home position.
1. Highlight **Shutter/Prism**, press **<ENTER>**.
  2. Select **YES** or **NO**, press **<ENTER>**.
- Color/Frost Reset** This option resets the Color/Frost functions to the home position.
1. Highlight **Color/Frost**, press **<ENTER>**.
  2. Select **YES** or **NO**, press **<ENTER>**.
- Gobo&R/Gobo2 Reset** This option resets the Gobo&R/Gobo 2 functions to the home position.
1. Highlight **Gobo&R/Gobo2**, press **<ENTER>**.
  2. Select **YES** or **NO**, press **<ENTER>**.
- Focus/Iris Reset** This option resets the Focus/Iris functions to the home position.
1. Highlight **Focus/Iris**, press **<ENTER>**.
  2. Select **YES** or **NO**, press **<ENTER>**.
- All Reset** This option resets the all the functions to the home position.
1. Highlight **All**, press **<ENTER>**.
  2. Select **YES** or **NO**, press **<ENTER>**.
- Factory Reset Function** This reverts the product back to its original factory settings.
1. Starting from the **Setup** screen level, select **Factory Settings**, press **<ENTER>**.
  2. Select **YES** or **NO**, press **<ENTER>**.

**System Information** This programming level shows standard information regarding the product's operating status.

- Starting from the Main Level screen, select **Sys Info**, press **<ENTER>**.
  - **Ver:** The current software version is displayed on the screen.
  - **Running Mode:** The current Running mode is displayed on the screen.
  - **DMX Address:** The current DMX address is displayed on the screen.
  - **Temperature:** The current product temperature is displayed on the screen.

**RDM** This option shows the product's UID #. The UID # is used when using the RDM functionality of the product.

1. Go to the Information main level.
2. Select **UID:** and the number will show on the screen.

Use DMX configurations to operate the product with a DMX controller.

**Offset Mode** The Offset mode provides fine adjustments for the home position of all the moving parts in the optical path as well as the pan and tilt movements. This way, when in their home position, the moving parts do not show any border or reduce the light output.

1. Starting from the Main Level screen, Press and hold **<MENU>** until the passcode screen appears.
2. Using **<UP>** to increase the number value and **<DOWN>** to move to the next column, enter **2323**, press **<ENTER>**. This brings you into the Zero Adjust menu screen.

**Pan**

1. Highlight **PAN**, press **<ENTER>**.
2. Select **000–255**, press **<ENTER>**.

**Tilt**

1. Highlight **TILT**, press **<ENTER>**.
2. Select **000–255**, press **<ENTER>**.

**Gobo**

1. Highlight **GOBO**, press **<ENTER>**.
2. Select **000–255**, press **<ENTER>**.

**Gobo Rotate**

1. Highlight **GOBO ROT**, press **<ENTER>**.
2. Select **000–255**, press **<ENTER>**.

**Gobo 2**

1. Highlight **GOBO2**, press **<ENTER>**.
2. Select **000–255**, press **<ENTER>**.

**Color 1**

1. Highlight **COLOR1**, press **<ENTER>**.
2. Select **000–255**, press **<ENTER>**.

**Color 2**

1. Highlight **COLOR2**, press **<ENTER>**.
2. Select **000–255**, press **<ENTER>**.

**Prism**

1. Highlight **PRISM**, press **<ENTER>**.
2. Select **000–255**, press **<ENTER>**.

**Focus**

1. Highlight **FOCUS**, press **<ENTER>**.
2. Select **000–255**, press **<ENTER>**.

**Iris**

1. Highlight **IRIS**, press **<ENTER>**.
2. Select **000–255**, press **<ENTER>**.

**Frost**

1. Highlight **FROST**, press **<ENTER>**.
2. Select **000–255**, press **<ENTER>**.

**Dimmer**

1. Highlight **DIMMER**, press **<ENTER>**.
2. Select **000–255**, press **<ENTER>**.

**FO. Yellow Edge** Reserved for future use.

## DMX Values

21CH	Channel	Function	Value	Percent/Setting
	1	Pan	000 ó 255	0–100%
	2	Fine Pan	000 ó 255	0–100%
	3	Tilt	000 ó 255	0–100%
	4	Fine Tilt	000 ó 255	0–100%
	5	Pan/Tilt Speed	000 ó 255	0–100%
	6	Dimmer	000 ó 255	0–100%
	7	Fine Dimmer	000 ó 255	0–100%
	8	Shutter	000 ó 003	Closed
			004 ó 007	Open
			008 ó 076	Slow to fast
			077 ó 145	Pulse effect from slow to fast
			146 ó 215	Random effect from slow to fast
			216 ó 255	Open
	9	Color Wheel 2	000 ó 007	Open
			008 ó 015	Yellow
			016 ó 023	Light blue
			024 ó 031	Green
			032 ó 039	Red
			040 ó 047	Magenta
			048 ó 055	Dark blue
			056 ó 063	Orange
			064 ó 127	Split colors
			128 ó 191	Clockwise color scroll, slow to fast
	192 ó 255	Counter-clockwise color scroll, slow to fast		
	10	Color Wheel 1	000 ó 007	Open
			008 ó 015	CTO 3200 K
			016 ó 023	CTO 5600 K
			024 ó 031	Green
			032 ó 039	UV
			040 ó 047	Orange
			048 ó 055	Pink
			056 ó 063	Light blue
			064 ó 127	Split colors
			128 ó 191	Clockwise color scroll, slow to fast
	192 ó 255	Counter-clockwise color scroll, slow to fast		



## DMX Values (Cont.)

21CH (Cont.)	Channel	Function	Value	Percent/Setting
11	Gobo Wheel 1	000	007	Open
		008	015	Gobo 1
		016	023	Gobo 2
		024	031	Gobo 3
		032	039	Gobo 4
		040	047	Gobo 5
		048	055	Gobo 6
		056	063	Gobo 7
		064	119	Gobo shake 1–7, slow to fast
		120	127	Open
		128	191	Clockwise gobo scroll, slow to fast
		192	255	Counter-clockwise gobo scroll, slow to fast
		12	Gobo Wheel 1 Rotate	000
064	147			Clockwise rotation, slow to fast
148	231			Counter-clockwise rotation, slow to fast
232	255			Boomerang effect, slow to fast
13	Gobo Wheel 2	000	006	Open
		007	013	Gobo 1
		014	020	Gobo 2
		021	027	Gobo 3
		028	034	Gobo 4
		035	041	Gobo 5
		042	048	Gobo 6
		049	055	Gobo 7
		056	063	Gobo 8
		064	120	Gobo shake 1–8, slow to fast
		121	127	Open
		128	191	Clockwise gobo scroll, slow to fast
		192	255	Counter-clockwise gobo scroll, slow to fast
14	Focus	000	255	0–100%
15	Prism	000	004	No function
		005	255	Prism insert
16	Prism Rotate	000	127	Prism index
		128	189	Counter-clockwise rotation, fast to slow
		190	193	Stop
		194	255	Clockwise rotation, slow to fast
17	Iris	000	063	Wide to narrow
		064	127	Iris effect, slow to fast
		128	191	Iris effect, in slow, out fast
		192	255	Iris effect, out slow, in fast
18	Frost	000	007	No function
		008	255	Frost effect

## DMX Values (Cont.)

21CH (Cont.)	Channel	Function	Value	Percent/Setting
	<b>19</b>	<b>Movement Macros</b>	000ó 007	No function
			008ó 015	Effect 1
			016ó 023	Effect 2
			024ó 031	Effect 3
			032ó 039	Effect 4
			040ó 047	Effect 5
			048ó 055	Effect 6
			056ó 063	Effect 7
			064ó 071	Effect 8
			072ó 079	Effect 9
			080ó 087	Effect 10
			088ó 095	Effect 11
			096ó 103	Effect 12
			104ó 111	Effect 13
			112ó 119	Effect 14
			120ó 127	Effect 15
			128ó 135	Effect 16
			136ó 143	Effect 17
			144ó 151	Effect 18
			152ó 159	Effect 19
			160ó 167	Effect 20
			168ó 175	Effect 21
			176ó 183	Effect 22
			184ó 191	Effect 23
			192ó 199	Effect 24
			200ó 207	Effect 25
			208ó 215	Effect 26
			216ó 223	Effect 27
			224ó 231	Effect 28
			232ó 239	Effect 29
			240ó 247	Effect 30
	248ó 255	Effect 31		

## DMX Values (Cont.)

21CH (Cont.)	Channel	Function	Value	Percent/Setting
	20	<b>Movement Macro Speed</b>	000ó 255	0–100%
	21	<b>Control</b>	000ó 007	No function
			008ó 015	Blackout during pan/tilt (3 sec hold)
			016ó 023	Blackout while color wheel moving (3 sec hold)
			024ó 031	Blackout while gobo wheels moving (3 sec hold)
			032ó 039	Disable pan/tilt blackout (3 sec hold)
			040ó 047	Disable color wheel blackout (3 sec hold)
			048ó 055	Disable gobo wheel blackout (3 sec hold)
			056ó 095	No function
			096ó 103	Pan reset
			104ó 111	Tilt reset
			112ó 119	Color wheel reset
			120ó 127	Gobo wheel reset
			128ó 135	Gobo rotation reset
			136ó 143	Prism reset
			144ó 151	Focus reset
			152ó 159	All reset
	160ó 167	Iris reset		
	168ó 239	No function		
	240ó 247	Pan/Tilt movement ramp speed, increase on		
	248ó 255	Pan/Tilt movement ramp speed, increase off		
18CH	Channel	Function	Value	Percent/Setting
	1	<b>Pan</b>	000ó 255	0–100%
	2	<b>Fine Pan</b>	000ó 255	0–100%
	3	<b>Tilt</b>	000ó 255	0–100%
	4	<b>Fine Tilt</b>	000ó 255	0–100%
	5	<b>Pan/Tilt Speed</b>	000ó 255	0–100%
	6	<b>Dimmer</b>	000ó 255	0–100%
	7	<b>Shutter</b>	000ó 003	Closed
			004ó 007	Open
			008ó 076	Slow to fast
			077ó 145	Pulse effect from slow to fast
			146ó 215	Random effect from slow to fast
			216ó 255	Open

## DMX Values (Cont.)

18CH (Cont.)	Channel	Function	Value	Percent/Setting
8	Color Wheel 2	000	007	Open
		008	015	Yellow
		016	023	Light blue
		024	031	Green
		032	039	Red
		040	047	Magenta
		048	055	Dark blue
		056	063	Orange
		064	127	Split colors
		128	191	Clockwise color scroll, slow to fast
		192	255	Counter-clockwise color scroll, slow to fast
9	Color Wheel 1	000	007	Open
		008	015	CTO 3200 K
		016	023	CTO 5600 K
		024	031	Green
		032	039	UV
		040	047	Orange
		048	055	Pink
		056	063	Light blue
		064	127	Split colors
		128	191	Clockwise color scroll, slow to fast
		192	255	Counter-clockwise color scroll, slow to fast
10	Gobo Wheel 1	000	007	Open
		008	015	Gobo 1
		016	023	Gobo 2
		024	031	Gobo 3
		032	039	Gobo 4
		040	047	Gobo 5
		048	055	Gobo 6
		056	063	Gobo 7
		064	119	Gobo shake 1–7, slow to fast
		120	127	Open
		128	191	Clockwise gobo scroll, slow to fast
192	255	Counter-clockwise gobo scroll, slow to fast		
11	Gobo Wheel 1 Rotate	000	063	Gobo index
		064	147	Clockwise rotation, slow to fast
		148	231	Counter-clockwise rotation, slow to fast
		232	255	Boomerang effect, slow to fast

## DMX Values (Cont.)

18CH (Cont.)	Channel	Function	Value	Percent/Setting
12	Gobo Wheel 2	000	006	Open
		007	013	Gobo 1
		014	020	Gobo 2
		021	027	Gobo 3
		028	034	Gobo 4
		035	041	Gobo 5
		042	048	Gobo 6
		049	055	Gobo 7
		056	063	Gobo 8
		064	120	Gobo shake 1–8, slow to fast
		121	127	Open
		128	191	Clockwise gobo scroll, slow to fast
		192	255	Counter-clockwise gobo scroll, slow to fast
		13	Focus	000
14	Prism	000	004	No function
		005	255	Prism insert
15	Prism Rotate	000	127	Prism index
		128	189	Counter-clockwise rotation, fast to slow
		190	193	Stop
		194	255	Clockwise rotation, slow to fast
16	Iris	000	063	Wide to narrow
		064	127	Iris effect, slow to fast
		128	191	Iris effect, in slow, out fast
		192	255	Iris effect, out slow, in fast
17	Frost	000	007	No function
		008	255	Frost effect
18	Control	000	007	No function
		008	015	Blackout during pan/tilt (3 sec hold)
		016	023	Blackout while color wheel moving (3 sec hold)
		024	031	Blackout while gobo wheels moving (3 sec hold)
		032	039	Disable pan/tilt blackout (3 sec hold)
		040	047	Disable color wheel blackout (3 sec hold)
		048	055	Disable gobo wheel blackout (3 sec hold)
		056	095	No function
		096	103	Pan reset
		104	111	Tilt reset
		112	119	Color wheel reset
		120	127	Gobo wheel reset
		128	135	Gobo rotation reset
		136	143	Prism reset
		144	151	Focus reset
		152	159	All reset
		160	167	Iris reset
		168	239	No function
		240	247	Pan/Tilt movement ramp speed, increase on
		248	255	Pan/Tilt movement ramp speed, increase off

## 5. TECHNICAL INFORMATION

### Product Maintenance

To maintain optimum performance and minimize wear, you should clean this product frequently. Usage and environment are contributing factors in determining the cleaning frequency.

As a rule, clean this product at least twice a month. Dust build-up reduces light output performance and can cause overheating. This can lead to reduced light source life and increased mechanical wear.

To clean your product:

1. Unplug the product from power.
2. Wait until the product is at room temperature.
3. Use a vacuum (or dry compressed air) and a soft brush to remove dust collected on the external vents.
4. Clean all external surfaces with a mild solution of non-ammonia glass cleaner or isopropyl alcohol.
5. Apply the solution directly to a soft, lint-free cotton cloth or a lens cleaning tissue.
6. Wipe any dirt or grime to the outside edges of the lens surface.
7. Gently polish the lens surfaces until they are free of haze and lint.



**Always dry the external surfaces thoroughly and carefully after cleaning them.**



**Do not allow the cooling fans to spin while blowing compressed air into the fixture.**

## 6. TECHNICAL SPECIFICATIONS

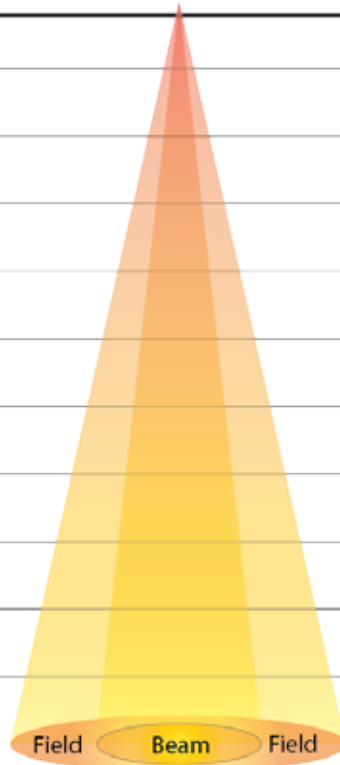
<b>Dimensions and Weight</b>	<b>Length</b>	<b>Width</b>	<b>Height</b>	<b>Weight</b>
	16.1 in (409 mm)	13.5 in (343 mm)	19.25 in (489 mm)	47.8 lb (21.7 kg)
<b>Note:</b> Dimensions in inches rounded to the nearest hundredth.				
<b>Power</b>	<b>Power Supply Type</b>	<b>Range</b>		<b>Voltage Selection</b>
	Switching (internal)	100–240 VAC, 50/60 Hz		Auto-ranging
	<b>Parameter</b>	<b>120 VAC, 60 Hz</b>		<b>230 VAC, 50 Hz</b>
	Consumption	517 W		437 W
	Current	4.31 A		1.9 A
	Power linking current (products)	13.6 A (6 products)		13.6 A (7 products)
	Fuse	F 7 A, 250 V		F 7 A, 250 V
	<b>Power I/O</b>	<b>U.S./Canada</b>		<b>Worldwide</b>
Power input connector	Neutrik powerCON A		Neutrik powerCON A	
Power cord plug	Edison (U.S.)		Local plug	
<b>Light Source</b>	<b>Type</b>	<b>Power</b>		<b>Lifespan</b>
	LED	300 W		50,000 hours
<b>Photometrics</b>	<b>Parameter</b>	<b>Standard Optics</b>		
	Illuminance @ 5 m	9,030 lux		
	Beam angle	16.5°		
<b>Gobo Dimensions</b>	<b>Gobo Wheel 1 Outside Diameter</b>	<b>Image Diameter</b>		<b>Max. Thickness</b>
	28.8 mm (Aluminum)	23.8 mm (Aluminum)		0.5 mm (Aluminum)
	27 mm (Glass)	24 mm (Glass)		1.1–3 mm (Glass)
<b>Thermal</b>	<b>Max. External Temperature</b>	<b>Cooling System</b>		
	113 °F (45 °C)	Fan-Cooled		
<b>DMX</b>	<b>I/O Connectors</b>	<b>Connector Type</b>		<b>Channel Range</b>
	3- and 5-pin XLR	Sockets		18 or 21
<b>Ordering</b>	<b>Product Name</b>	<b>Item Code</b>		<b>UPC Number</b>
	ROGUE2XSPOT	08011397		781462217457



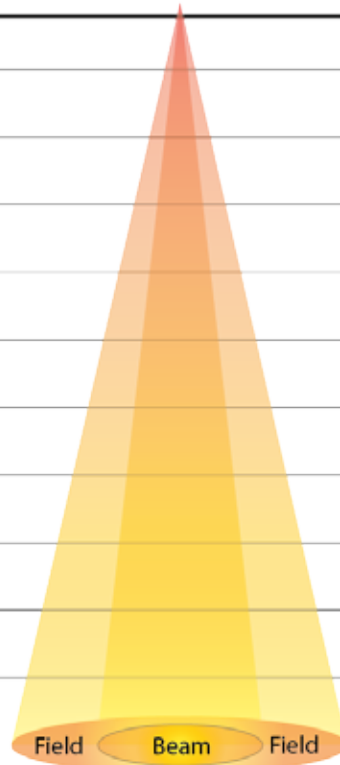
UL 1573  
CSA C22.2 No. 166  
E113093

# Photometrics Chart

Light Source 16.5°			
Distance	Beam Diameter	Field Diameter	Footcandle
15 ft	4.35 ft	4.35 ft	1,003
20 ft	5.80ft	5.80ft	564
30 ft	8.70ft	8.70ft	251
40 ft	11.60 ft	11.60 ft	141
50 ft	14.50 ft	14.50 ft	90
75 ft	21.75 ft	21.75 ft	40
100 ft	29.00 ft	29.00 ft	23
125 ft	36.25 ft	36.25 ft	14
150 ft	43.50 ft	43.50 ft	10



Light Source 16.5°			
Distance	Beam Diameter	Field Diameter	Lux
1 m	0.29 m	0.29m	225,750
2 m	0.58 m	0.58m	56,438
5 m	1.45 m	1.45 m	6,271
8 m	2.32 m	2.32 m	3,527
10 m	2.90 m	2.90 m	2,258
15 m	4.35 m	4.35 m	1,003
20 m	5.80 m	5.80 m	564
25 m	7.25 m	7.25 m	361
30 m	8.70 m	8.70 m	251





**Returns** You must send the product prepaid, in the original box, and with the original packing and accessories. Chauvet will not issue call tags.

Call Chauvet and request a Return Merchandise Authorization (RMA) number before shipping the product. Be prepared to provide the model number, serial number, and a brief description of the cause(s) for the return.

Clearly label the package with an RMA number. Chauvet will refuse any product returned without an RMA number.



**DO NOT write the RMA number directly on the box. Instead, write it on a properly affixed label.**

Once you have received the RMA number, include the following information on a piece of paper inside the box:

- Your name
- Your address
- Your phone number
- The RMA number
- A brief description of the problem(s)

Be sure to pack the product properly. Any shipping damage resulting from inadequate packaging will be the customer's responsibility. FedEx packing or double-boxing is recommended.



**Chauvet reserves the right to use its own discretion to repair or replace returned product(s).**

# CONTACT Us

## **WORLD HEADQUARTERS - Chauvet General Information**

Address: 5200 NW 108th Avenue  
Sunrise, FL 33351  
Voice: (954) 577-4455  
Fax: (954) 929-5560  
Toll free: (800) 762-1084

## **Technical Support**

Voice: (844) 393-7575  
Fax: (954) 756-8015  
Email:

[chauvetcs@chauvetlighting.com](mailto:chauvetcs@chauvetlighting.com)

## **World Wide Web**

[www.chauvetlighting.com](http://www.chauvetlighting.com)

## **EUROPE - Chauvet Europe Ltd.**

### **General Information**

Address: Unit 1C  
Brookhill Road Industrial Estate  
Pinxton, Nottingham, UK  
NG16 6NT

Voice: +44 (0)1773 511115  
Fax: +44 (0)1773 511110

## **Technical Support**

Email: [uktech@chauvetlighting.com](mailto:uktech@chauvetlighting.com)

## **World Wide Web**

[www.chauvetlighting.co.uk](http://www.chauvetlighting.co.uk)

### **General Information**

Address: Stokstraat 18  
9770 Kruishoutem  
Belgium

Voice: **+32 9 388 93 97**

## **Technical Support**

Email: [Eutech@chauvetlighting.eu](mailto:Eutech@chauvetlighting.eu)

**World Wide Web** [www.chauvetlighting.eu](http://www.chauvetlighting.eu)

## **MEXICO - Chauvet Mexico**

### **General Information**

Address: Av. de las Partidas 34 – 3B,  
(Entrance by Calle 2)  
Zona Industrial Lerma  
Lerma Edo. de, Mexico, C.P. 52000

Voice: +52 (728) 690-2010

## **Technical Support**

Email: [servicio@chauvet.com.mx](mailto:servicio@chauvet.com.mx)

**World Wide Web** [www.chauvet.com.mx](http://www.chauvet.com.mx)

Outside the U.S., United Kingdom, Ireland, Mexico, or Benelux contact the dealer of record. Follow their instructions to request support or to return a product. Visit our website for contact details.