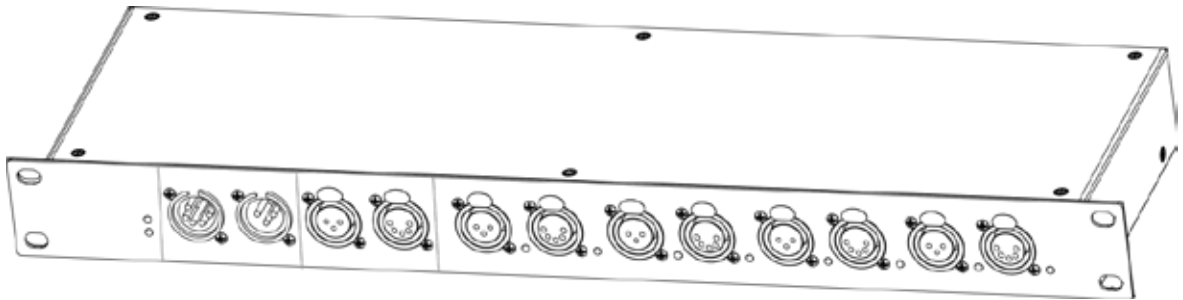


Data Stream 4

User Manual



CHAUVET

TABLE OF CONTENTS

1. Before you Begin	3
What Is Included.....	3
Unpacking Instructions	3
Claims.....	3
Text Conventions.....	3
Symbols	3
Disclaimer	3
Product at a Glance	4
Safety Notes	4
2. Introduction	5
Product Overview	5
Product Dimensions	5
3. Setup.....	6
AC Power.....	6
Fuse Replacement.....	6
Mounting	7
Orientation	7
Rigging.....	7
4. Operation.....	8
Operating Instructions	8
Setting up a DMX Serial Data Link.....	8
5. Appendix	9
General Maintenance	9
General Troubleshooting	9
6. Technical Information.....	10
Technical Specifications	10
Returns	11
Contact Us.....	Error! Bookmark not defined.

1. BEFORE YOU BEGIN

What Is Included

- DataStream 4
- Power Cord
- Warranty Card
- Quick Reference Guide

Unpacking Instructions

Carefully unpack the product immediately and check the container to make sure all the parts are in the package and are in good condition.

Claims




If the box or the contents (the product and included accessories) appear damaged from shipping, or show signs of mishandling, notify the carrier immediately, not Chauvet. Failure to report damage to the carrier immediately may invalidate your claim. In addition, keep the box and contents for inspection.

For other issues, such as missing components or parts, damage not related to shipping, or concealed damage, file a claim with Chauvet within 7 days of delivery.

Text Conventions

Convention	Meaning
1–512	A range of values
50/60	A set of values of which only one can be chosen
<i>Settings</i>	A menu option not to be modified
<i>Menu > Settings</i>	A sequence of menu options to be followed
<ENTER>	A key to be pressed on the product's control panel
ON	A value to be entered or selected

Symbols

Symbol	Meaning
	Critical installation, configuration, or operation information. Not following these instructions may make the product not work, cause damage to the product, or cause harm to the operator.
	Important installation or configuration information. The product may not function correctly if this information is not used.
	Useful information.

Disclaimer

The information and specifications contained in this document are subject to change without notice. Chauvet assumes no responsibility or liability for any errors or omissions that may appear in this manual. Chauvet reserves the right to update the existing document or to create a new document to correct any errors or omissions.

You can download the latest version of this document from www.chauvetlighting.com.

© Copyright 2018 Chauvet. All rights reserved

Electronically published by Chauvet in the United States of America

--	--	--	--

Product at a Glance

Use on Dimmer	X	Auto Programs	X
Outdoor Use	X	Power Cord	P
Sound-Activated	X	Replaceable Fuse	P
DMX	P	User-Serviceable	X
Master/Slave	P	Duty Cycle	X

Safety Notes

Please read the following Safety Notes carefully before working with this product. They include important safety information about its installation, usage, and maintenance.



- Always connect this product to a grounded circuit to avoid the risk of electrocution.
- Make sure the power cord is not crimped or damaged.
- Never disconnect this product from power cord by pulling or tugging on the cord.
- If mounting this product overhead, always secure it to a fastening device using a safety cable.
- Make sure there are no flammable materials close to the unit while operating.



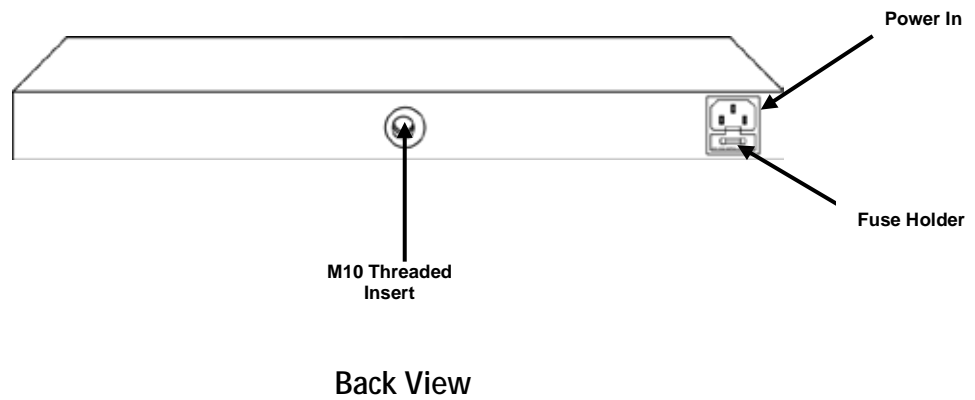
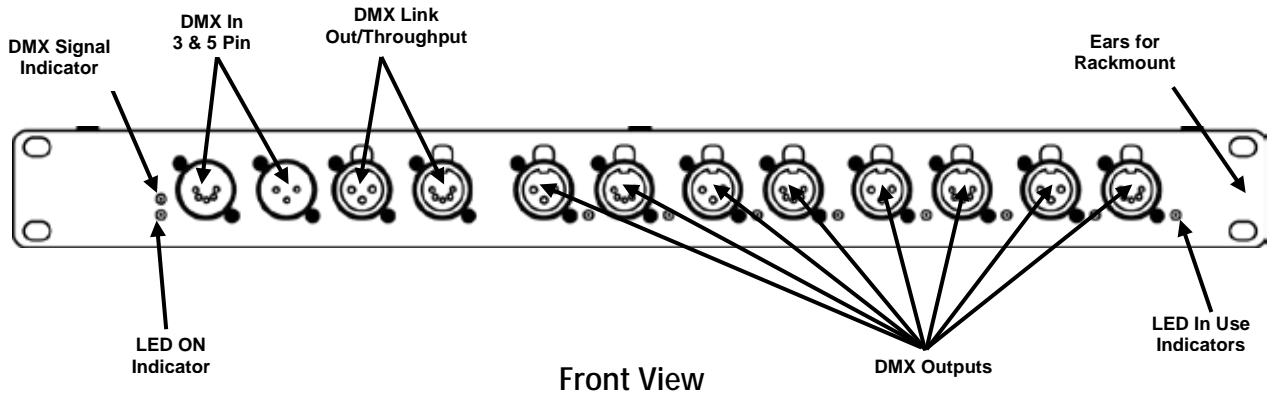
- Always make sure that the voltage of the outlet to which you are connecting this product is within the range stated on the decal or rear panel of the product.
- This product is for indoor use only! (IP20) To prevent risk of fire or shock, do not expose this product to rain or moisture.
- Never connect this product to a dimmer.
- Never carry this product from the power cord or any moving part.
- The maximum ambient temperature is 104 °F (40 °C). Do not operate this product at higher temperatures.
- In the event of a serious operating problem, stop using the unit immediately.
- Never try to repair this product. Repairs carried out by unskilled people can lead to damage or malfunction. Please contact the nearest authorized technical assistance center.
- To eliminate unnecessary wear and improve its lifespan, during periods of non-use completely disconnect the product from power via the breaker or by unplugging it.



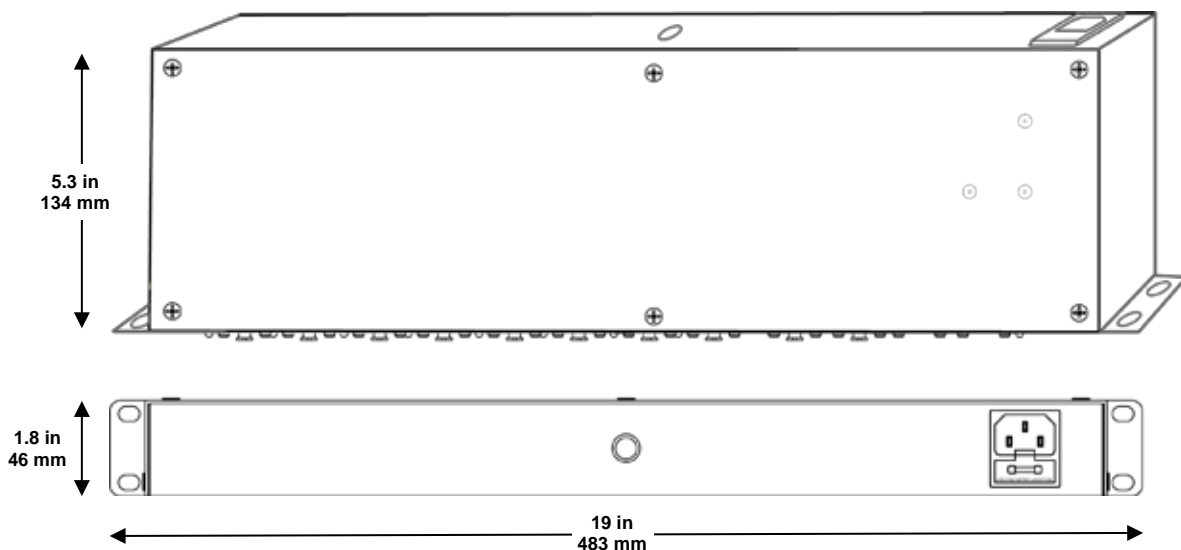
- Keep this User Manual for future consultation. If you sell this product to another user, be sure that they also receive this document.

2. INTRODUCTION

Product Overview



Product Dimensions



3. SETUP

AC Power

This product has an auto-ranging power supply and it can work with an input voltage of 100 to 240 VAC, 50/60 Hz.

To determine the power requirements for this product (power outlet and wiring), use the current value listed on the label affixed to the product's back panel, or refer to the product's specifications chart. The listed current rating indicates the product's average current draw under normal conditions.



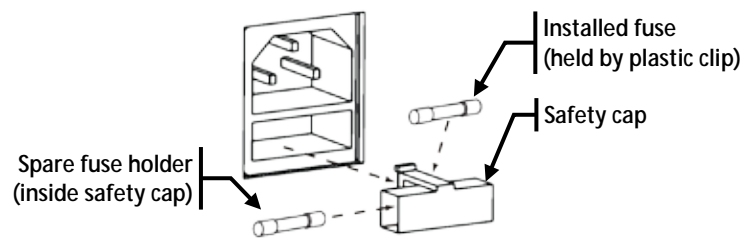
- **Always connect this product to a protected circuit (circuit breaker or fuse), making sure that it has an appropriate electrical ground to avoid the risk of electrocution or fire.**
- **To eliminate wear and improve its lifespan, during periods of non-use completely disconnect from power via breaker or by unplugging it.**



Never connect this product to a rheostat (variable resistor) or dimmer circuit, even if the rheostat or dimmer channel serves only as a 0 to 100% switch.

Fuse Replacement

1. Wedge the tip of a flat-head screwdriver into the slot of the fuse holder.
2. Pry the fuse holder out of the housing.
3. Remove the blown fuse from the holder and replace with a fuse of the exact same type and rating.
4. Insert the fuse holder back in place and reconnect power.



Disconnect the product from the power outlet before replacing the fuse.

Mounting

Before mounting this product, read and follow the [Safety Notes](#).

Orientation

The DataStream 4 may be mounted in any position; however, make sure adequate ventilation is provided around the product.

Rigging

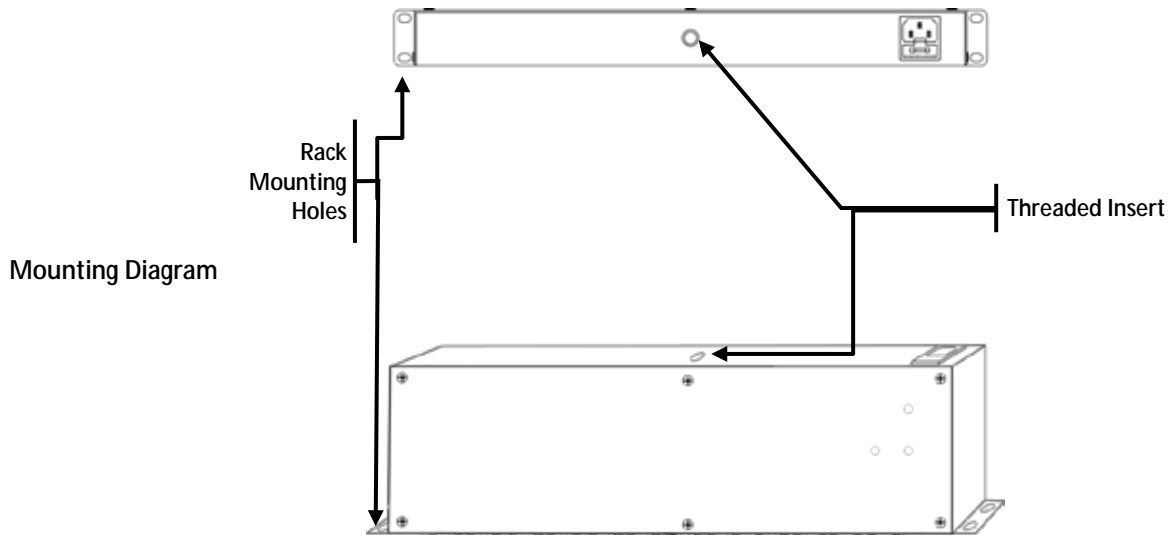
Before deciding on a location for this product, always make sure that it will be easy to access the unit for maintenance and programming purposes.

Make sure that the structure onto which you are mounting this product can support its weight. See the [Technical Specifications](#) for weight information.

When mounting this product overhead, always use a safety cable. Mount the product securely to a rigging point, whether an elevated platform or a truss.

When rigging this product onto a truss, you should use a mounting clamp of appropriate weight capacity.

The product has an M8 threaded insert mounting hole located on the back of the unit for easy truss mounting. There are also two ears for rack mounting. This product uses 1U of space.



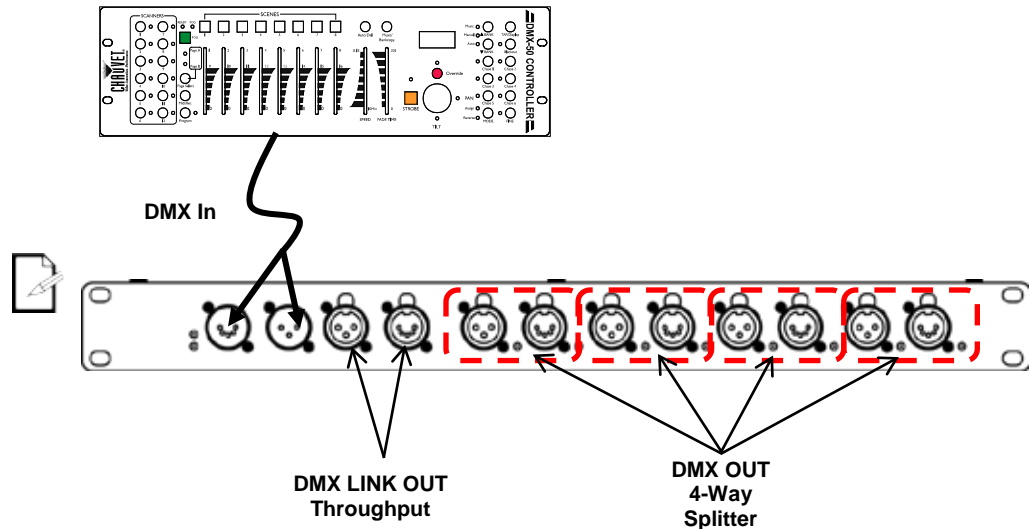
4. OPERATION

Operating Instructions

This is a DMX splitter, and it is designed to distribute / boost the incoming DMX signal into 4 **separate** outputs. Each of the 4 outputs is electronically isolated from the others (with the exception of the "thru" or "link" output) and each output has 3- and 5-pin XLR sockets to choose from.

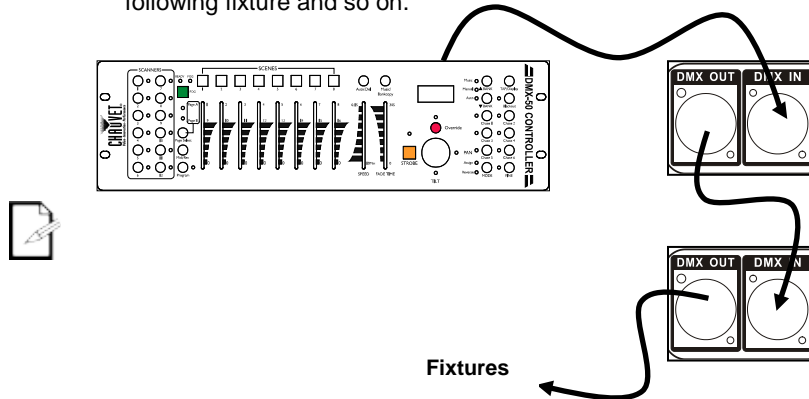


Follow all DMX standards when using this device.



Setting up a DMX Serial Data Link

1. Connect the (male) 3 / 5 pin connector side of the DMX cable to the output (female) 3 / 5 pin connector of the controller.
2. Connect the end of the cable coming from the controller which will have a (female) 3 / 5 pin connector to the input connector of the next fixture consisting of a (male) 3 / 5 pin connector.
3. Then, proceed to connect from the output as stated above to the input of the following fixture and so on.



5. APPENDIX

General Maintenance

To maintain optimum performance and minimize wear fixtures should be cleaned frequently. Usage and environment are contributing factors in determining frequency. As a general rule, fixtures should be cleaned at least twice a month. Dust build up reduces performance and can cause overheating. This can lead to reduced life and increased mechanical wear. Be sure to power off the fixture before conducting maintenance.

Unplug fixture from power. Use a vacuum or air compressor and a soft brush to remove dust collected on external vents and internal components.

Cleaning frequency depends on the environment in which the fixture operates: damp, smoky or particularly dirty surroundings can cause greater accumulation of dirt on the unit. Clean with soft cloth using normal glass cleaning fluid. - Always dry the parts carefully.

General Troubleshooting

Symptom	Possible Solution(s)
Device has no power	Check for power on Mains Check device's fuse, replace if necessary
No Signal Output, Signal Indicator Not Flashing	Check Input Source
No Signal Output, Signal Indicator is Flashing	Contact Chauvet Technical Support

If you still have a problem after trying the above solutions, please contact Chauvet Technical Support from the Contact Us page.

6. TECHNICAL INFORMATION

Technical Specifications

Dimensions and Weight	Length	Width	Height	Weight
	19 in (483 mm)	5.3 in (134 mm)	1.6 in (46 mm)	5.8 lb (2.6 kg)

Note: Dimensions in inches rounded to the nearest decimal digit.

Rackmount Size

1U

Power	Power Supply Type	Range	Voltage Selection
	Switching (Internal)	100 to 240 VAC, 50/60 Hz	Auto-ranging

Parameter	120 V, 60 Hz	240 V, 50 Hz
Consumption	3 W	5 W
Operating current	0.01 A	0.01 A
Fuse	1 A, 250 V	1 A, 250 V

Thermal	Maximum External Temp.	Cooling System
	104 °F (40 °C)	Convection

DMX	I/O Connectors	Connector Type
	3-Pin & 5-Pin XLR	Socket

Ordering	Product Name	Item Code	UPC Number
	DATASTREAM4	09080128	781462202828



To return a product or request support:

- If you live in the U.S., contact Chauvet World Headquarters (see [Contact Us](#)).
- If you live in the UK or Ireland, contact Chauvet Europe Ltd.(see [Contact Us](#)).
- If you live in Mexico, contact Chauvet Mexico (see [Contact Us](#)).
- If you live in Benelux, contact Chauvet Europe BVBA (see [Contact Us](#)).
- If you live in any other country, DO NOT contact Chauvet. Instead, contact your distributor of record. Refer to our Web site for contact details of distributors outside the US, United Kingdom, or Ireland.



If you live outside the U.S., United Kingdom, Ireland, Mexico, or Benelux contact your distributor of record and follow their instructions on how to return Chauvet products to them. Visit our Web site for contact details.

Returns

Call the corresponding Chauvet Tech Support office and request a Return Merchandise Authorization (RMA) number before shipping the product. Be prepared to provide the model number, serial number, and a brief description of the cause for the return.

You must send the merchandise prepaid, in its original box, and with its original packing and accessories. Chauvet will not issue call tags.

Clearly label the package with the RMA number. Chauvet will refuse any product returned without an RMA number.



DO NOT write the RMA number directly on the box. Instead, write it on a properly affixed label.

Before sending the product, clearly write the following information on a piece of paper and place it inside the box:

- Your name
- Your address
- Your phone number
- RMA number
- A brief description of the problem

Be sure to pack the product properly. Any shipping damage resulting from inadequate packaging will be your responsibility. FedEx packing or double-boxing are recommended.



Chauvet reserves the right to use its own discretion to repair or replace returned product(s).

CONTACT Us

General Information	Technical Support
World Headquarters	
Address: 5200 NW 108th Avenue Sunrise, FL 33351 Voice: (954) 577-4455 Fax: (954) 929-5560 Toll free: (800) 762-1084	Voice: (844) 393-7575 Fax: (954) 756-8015 Email: chauvetcs@chauvetlighting.com Website www.chauvetdj.com
UK	
Address: Unit 1C Brookhill Road Industrial Estate Pinxton, Nottingham, UK NG16 6NT Voice: +44 (0)1773 511115 Fax: +44 (0)1773 511110	Email: UKtech@chauvetlighting.eu Website: www.chauvetdj.eu
Benelux	
Address: Stokstraat 18 9770 Kruishoutem Belgium Voice: +32 9 388 93 97	Email: BNLtech@chauvetlighting.eu Website: www.chauvetdj.eu
France	
Address: 3, Rue Ampère 91380 Chilly-Mazarin France Voice: +33 1 78 85 33 59	Email: FRtech@chauvetlighting.fr Website: www.chauvetdj.eu
Germany	
Address: Bruno-Bürgel-Str. 11 28759 Bremen Germany Voice: +49 421 62 60 20	Email: DEtech@chauvetlighting.de Website: www.chauvetdj.eu
Mexico	
Address: Av. de las Partidas 34-3B (Entrance by Calle 2) Zona Industrial Lerma Lerma, Mexico C.P. 52000 Voice: +52 (728) 690-2010	Email: servicio@chauvet.com.mx Website: www.chauvetdj.mx

Outside the U.S., U.K., Ireland, Benelux, France, Germany, or Mexico, contact the dealer of record. Follow the instructions to request support or to return a product. Visit our website for contact details