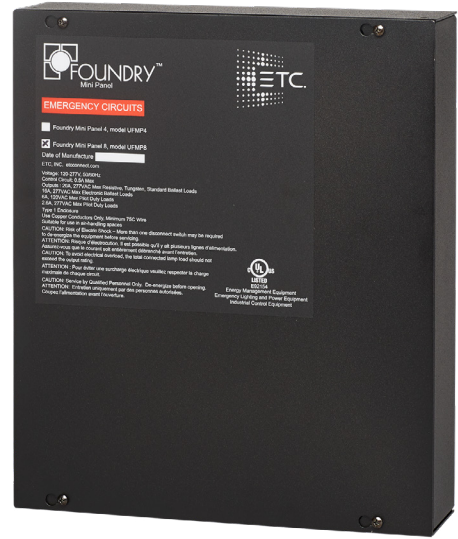
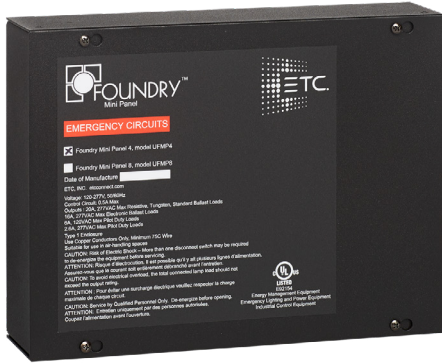


115/120V 277V

Foundry Mini Panel Series



GENERAL INFORMATION

The Foundry Mini Panels offer up to eight zones of DMX controlled lighting with fully rated 20 Amp relays and optional 0-10V control per zone. The Mini Panel features a Demand Response input for energy saving integration and a UL924 emergency lighting control bypass with power loss sense. The Mini Panel is wall-mounted and plenum rated to be easily tucked out of sight.

APPLICATIONS

- Arena and stadium suites
- Office buildings
- Conference and meeting rooms
- Healthcare facilities
- Houses of worship
- Classrooms
- Hospitality and restaurants
- Retail

FEATURES

- Switched power control of four or eight circuits with 0-10V dimming
- 120 or 277VAC power input per zone
- 20 Amp fully rated relays for use with general purpose, tungsten, fluorescent, LED and plug loads
- 0-10V dimming output per zone for direct connection to dimming ballasts and LED drivers
- Demand Response load shedding contact input
- UL924 control bypass via
 - Contact closure input
 - Normal power loss sense feed terminals
- DMX controlled and RDM configurable

GENERAL

- UL, cUL and UL924 LISTED
- Rated for plenum installation
- Suitable for plug load control

ORDERING INFORMATION

Foundry Mini Panel

MODEL	DESCRIPTION
UFMP4	4-zone DMX Mini Panel with four relays and four 0-10V dimming outputs
UFMP8	8-zone DMX Mini Panel with eight relays and eight 0-10V dimming outputs

Note: Optional voltage divider available for use of mixed normal and emergency circuits in a single controller; where allowed by local code.

FOUNDRY FAMILY OF PRODUCTS

Foundry Distributed Product Series

MODEL	DESCRIPTION
UFR2	Dual Zone DMX Relay
UFR2-LV	Dual Zone DMX Relay with 0-10V
UFD	600W 120V DMX Dimmer
UFD-277	600W 277V DMX Dimmer

Foundry Mini Panel Product Series

MODEL	DESCRIPTION
UFMP4	4 Zone Mini Panel
UFMP8	8 Zone Mini Panel



SPECIFICATIONS

FUNCTIONAL

- Control for up to eight zones of switching for lighting and plug loads
- Control for up to eight zones of 0-10V dimming for LED drivers and fluorescent ballasts
- UL924 emergency-lighting control via contact closure and power loss sense feed terminal
- Demand Response input provided by a power company can enforce a maximum level per circuit while active
- Supports USITT DMX512-A (ANSI E1.11)
- Supports RDM (ANSI E1.20)

MECHANICAL

- Constructed of 16-gauge cold-rolled steel, finished in fine-textured, black powder coat
- Wall-mount installation;
 - rated for installation in plenum air space
- Class-1 voltage barrier prevents access to line-voltage wiring with front panel removed
- Optional voltage divider allows for separation of normal and emergency circuits in a single controller where allowed by local codes

ELECTRICAL

- 100-277V, 50/60Hz power input per circuit with support for pass thru to multiple circuits
- Supports 120V and 277V circuits within the same panel
- 20-Amp, fully-rated bi-state latching relay per output
- 0-10VDC control rated for up to 100mA sink per output
 - 0-10V outputs are fully isolated from ground to 2500V RMS
- Rising clamp screw terminal wiring connections for:
 - Line-voltage relay power input, output and pass-through with support for 14-8 AWG wire
 - Controller power input and UL924 Sense circuit with support for 20-12AWG wire
 - Low-voltage 0-10V dimming output per zone with support for 22-16 AWG wire
 - Separate normal power sense feed input for UL924 emergency lighting bypass
 - UL924 emergency lighting control contact closure input with support for 22-16 AWG wire
 - Demand Response contact input with support for 22-16 AWG wire
- Demand Response input supports Normally Open (NO) operation
- UL924 contact closure input supports normally open (NO) or normally closed (NC) operation
- Onboard status indicators for controller power, DMX signal, Demand Response input, and UL924 emergency lighting control
- Slide switch configuration for:
 - UL924 operation (NO/NC)
 - UL924 inclusion per circuit (on/off)
- UL and cUL LISTED
 - Conforms to UL508, UL2043, UL916 and UL924

DMX INPUT PORT

- Optically-isolated input from the Mini Panel electronics
- Withstands fault voltages of up to 250VAC
- Integrated DMX/RDM termination

CONFIGURATION

- Remote configuration available via RDM devices such as:
 - ETC control console with RDM functionality
 - ETC DMX/RDM gateway networked to a device running ETC Net3 Concert software
- Manual configuration of the starting DMX address, UL924 bypass, and Demand Response on the controller

THERMAL

- Ambient room temperature: 0 to 50°C
- Ambient humidity: 5 to 95% non-condensing

PHYSICAL

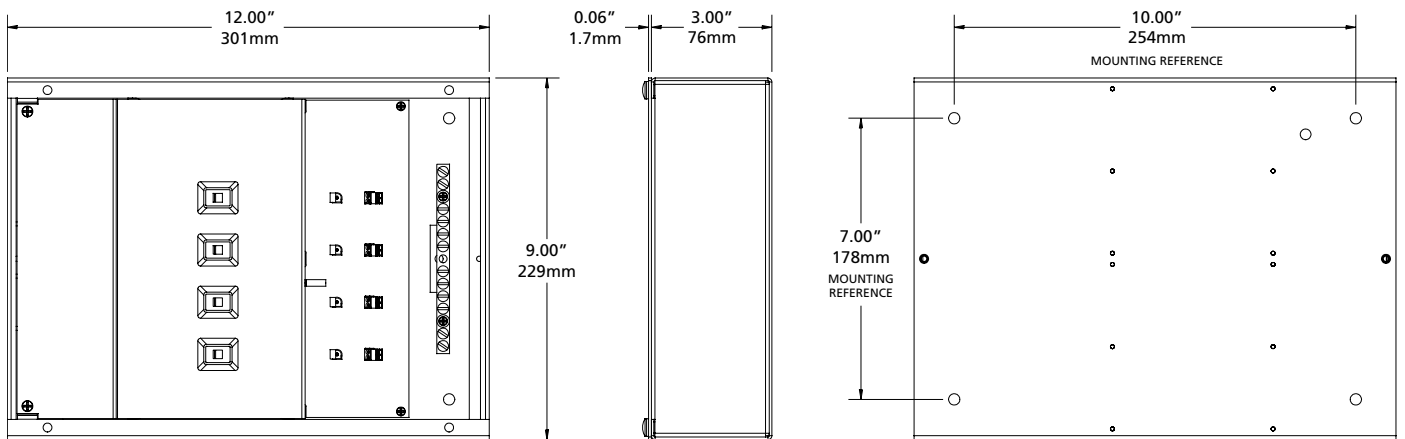
Foundry Mini Panel Dimensions

MODEL	HEIGHT		WIDTH		DEPTH	
	inches	mm	inches	mm	inches	mm
UFMP4	9.0	229	12	301	3	76
UFMP8	14.0	356	12	301	3	76

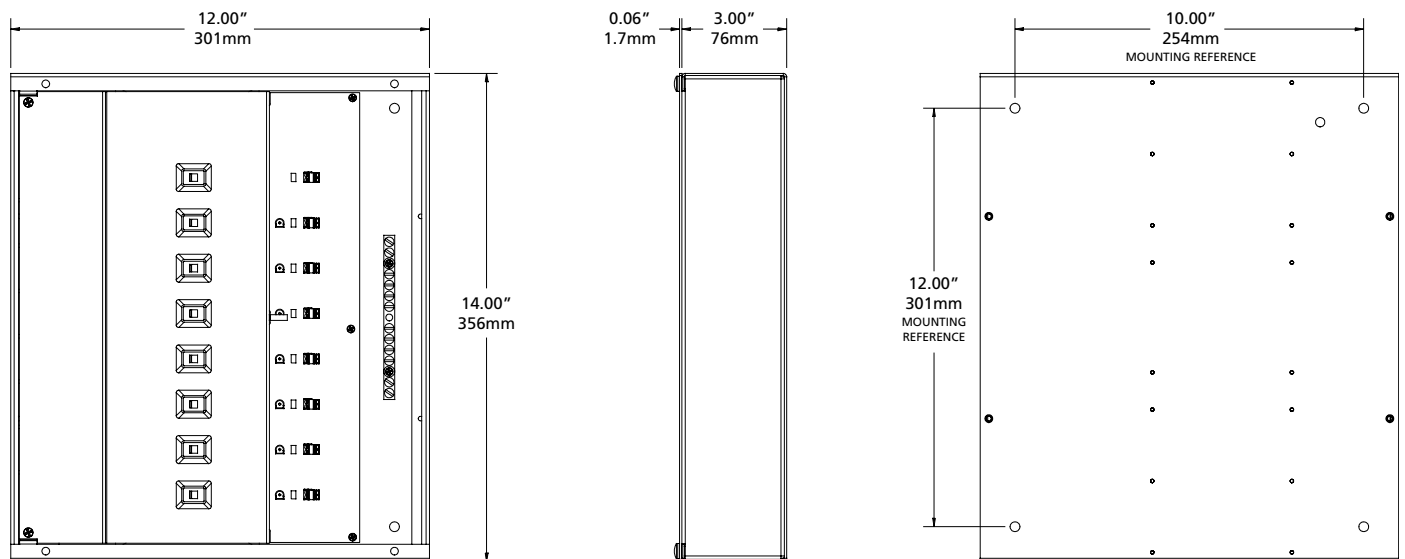
Foundry Mini Panel Weights

MODEL	WEIGHT	
	lbs	kgs
UFMP4	6	2.72
UFMP8	9	4.08

UFMP4



UFMP8



Corporate Headquarters • 3031 Pleasant View Rd, PO Box 620979, Middleton WI 53562 0979 USA • +1 608 831 4116

London, UK • Unit 26-28, Victoria Industrial Estate, Victoria Road, London W3 6UU, UK • +44 (0) 20 8896 1000

Rome, IT • Via Bruno Pontecorvo 10, 00012 Guidonia Montecelio, Roma, Italy • +39 06 32 111 683

Holzkirchen, DE • Ohmstrasse 3, 83607 Holzkirchen, Germany • +49 (80 24) 47 00-0

Hong Kong • Room 1801, 18/F, Tower 1 Phase 1, Enterprise Square, 9 Sheung Yuet Road, Kowloon Bay, Kowloon, Hong Kong • +852 2799 1220

Web • etconnect.com • Copyright©2018 ETC. All Rights Reserved. All product information and specifications subject to change. 7179L1001 Rev B 07/18