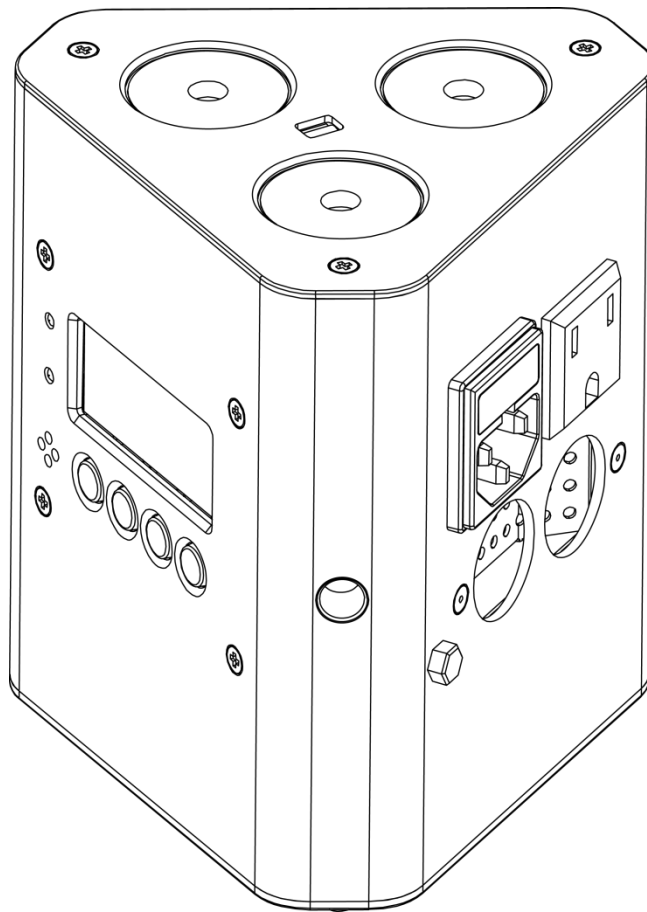


EZ Wedge™ Tri

User Manual



CHAUVET[®]
It's
Green Thinking[™]

TABLE OF CONTENTS

1. Before You Begin.....	3
What Is Included.....	3
Unpacking Instructions	3
Claims	3
Text Conventions	3
Symbols.....	3
Disclaimer.....	3
Product at a Glance.....	4
2. Introduction.....	5
Overview.....	5
Overview (cont.)	6
Dimensions.....	7
3. Setup	8
AC Power	8
Fuse Replacement	8
Fuse Replacement Diagram	8
Power Linking.....	9
Power Linking Diagram	9
Charging the Battery	9
Battery Run Time.....	9
Mounting.....	10
Orientation.....	10
Rigging	10
Rigging Diagram	10
DMX Linking	11
DMX Linking Diagram	11
Master/Slave Mode	12
4. Operation.....	13
Control Panel Operation.....	13
Menu Map	13
DMX Configuration	14
DMX Personalities and Starting Address.....	14
DMX Channel Assignments and Values	15
Configurations (Standalone).....	16
Sound-Active Mode.....	16
Sound Sensitivity.....	16
Auto Mode.....	16
Program Speed.....	16
Selecting the Dimmer Mode.....	16
Static Colors.....	17
Custom Color Mixing.....	17
IR Mode.....	17
IRC-6 Operations	18
5. Technical Information.....	19
Product Maintenance	19
6. Technical Specifications	20
Returns.....	21
Contact Us.....	22

1. BEFORE YOU BEGIN

What Is Included

- EZwedge™ Tri
- Power Cord
- IRC-6 (Infrared Remote Control 6)
- Warranty Card
- Quick Reference Guide

Unpacking Instructions

Carefully unpack the EZwedge™ Tri and check that all the parts are in the package, and are in good condition.

Claims




If the box, or any of the contents, appear damaged from shipping, save all the packaging and file a claim with the carrier immediately. Failure to report damage to the carrier immediately, or failure to save all the packaging, can invalidate a claim.

For other issues, such as missing components or parts, damage not related to shipping, or concealed damage, file a claim with Chauvet within 7 days of delivery. See [Contact Us](#).

Text Conventions

Convention	Meaning
1–512	A range of values
50/60	A set of values of which only one can be chosen
Settings	A menu option not to be modified
Menu > Settings	A sequence of menu options to be followed
<Enter>	A key to be pressed on the product's control panel
ON	A value to be entered or selected

Symbols

Symbol	Meaning
	Critical installation, configuration, or operation information. Not following these instructions may make the product not work, cause damage to the product, or cause harm to the operator.
	Important installation or configuration information. The product may not function correctly if this information is not used.
	Useful information.

Disclaimer

The information and specifications contained in this User Manual are subject to change without notice. Chauvet assumes no responsibility or liability for any errors or omissions, and reserves the right to revise or recreate this manual at any time. The latest version of this manual can be downloaded from <http://www.chauvetlighting.com/product-manuals-literature/>.

© Copyright 2014 Chauvet. All rights reserved.

Electronically published by Chauvet in the United States of America.

Author	Date	Editor	Date
M. Trouard	07/18/2014	A. Leon	11/17/14

Product at a Glance

Use on Dimmer	X	Auto Program	P
Outdoor Use	X	Auto-Ranging Power Supply	P
Sound-Activated	P	Replaceable Fuse	P
DMX	P	User-Serviceable	X
Master/Slave	P		

Safety Notes

These notes include important information about the mounting, usage, and maintenance of this product; read before using the product.



- Always connect the product to a grounded circuit to avoid the risk of electrocution.
- Always disconnect the product from the power source before cleaning or replacing the fuse.
- Avoid direct eye exposure to the light source while the product is on.
- Make sure the power cord is not crimped or damaged.
- Never disconnect the product from power by pulling or tugging on the cord.
- If mounting the product overhead, always secure to a fastening device using a safety cable.
- Make sure there are no flammable materials close to the product when operating.
- Do not touch the product's housing when operating because it may be very hot.



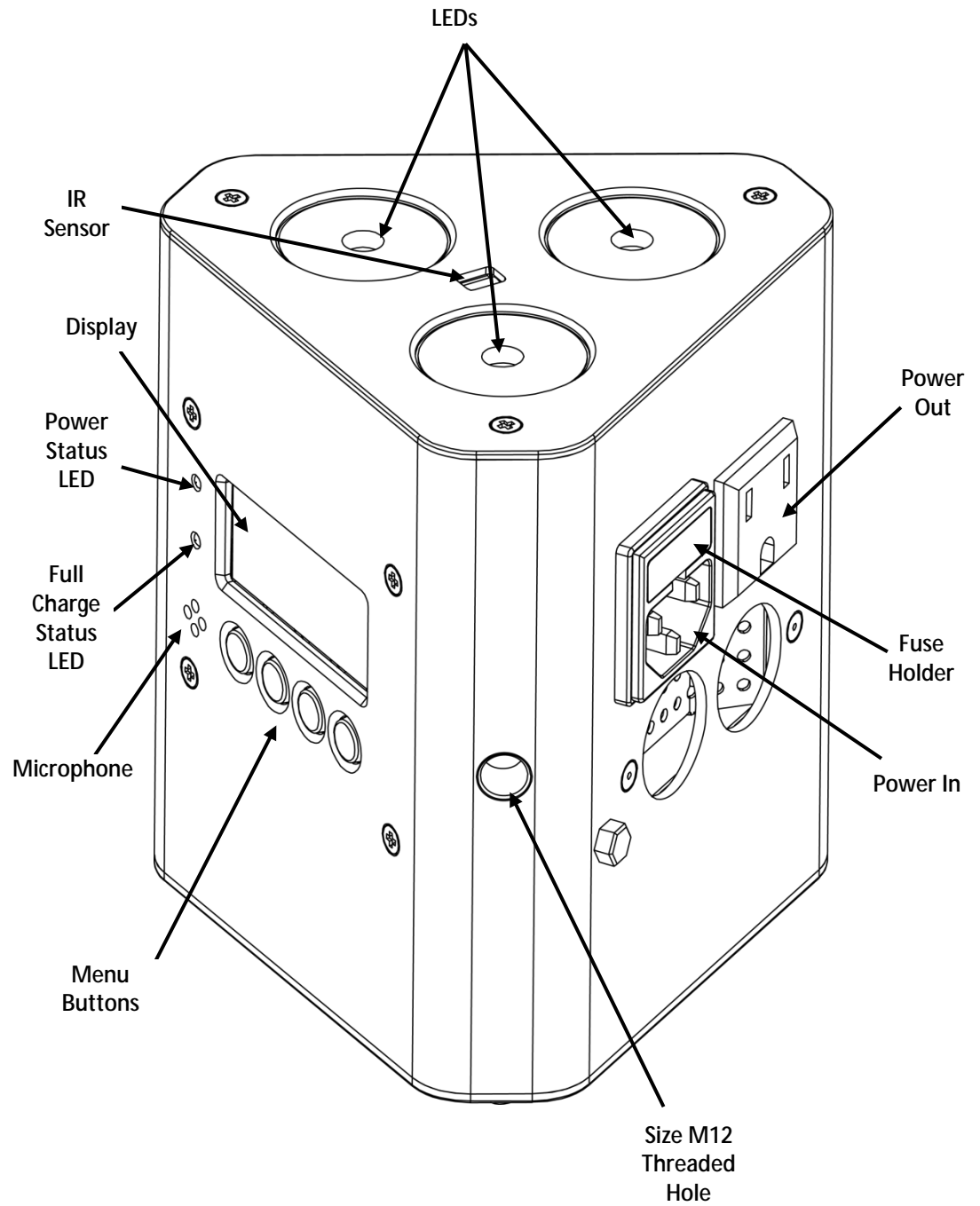
- Always make sure that the voltage of the outlet to which you are connecting the product is within the range stated on the decal or rear panel of the product.
- The product is for indoor use only! (IP20) To prevent risk of fire or shock, do not expose the product to rain or moisture.
- Always install the product in a location with adequate ventilation, at least 20 in (50 cm) from adjacent surfaces.
- Be sure that no ventilation slots on the product's housing are blocked.
- Never connect the product to a dimmer.
- Make sure to replace the fuse with another of the same type and rating.
- Never carry the product from the power cord.
- The maximum ambient temperature (Ta) is 104 °F (40 °C). Do not operate the product at higher temperatures.
- In the event of a serious operating problem, stop using the product immediately.
- Never try to repair the product. Repairs carried out by unskilled people can lead to damage or malfunction. Contact the nearest authorized technical assistance center.
- This product is not intended for permanent installation.
- To eliminate unnecessary wear and improve its lifespan, during periods of non-use completely disconnect the product from power via breaker or by unplugging it.



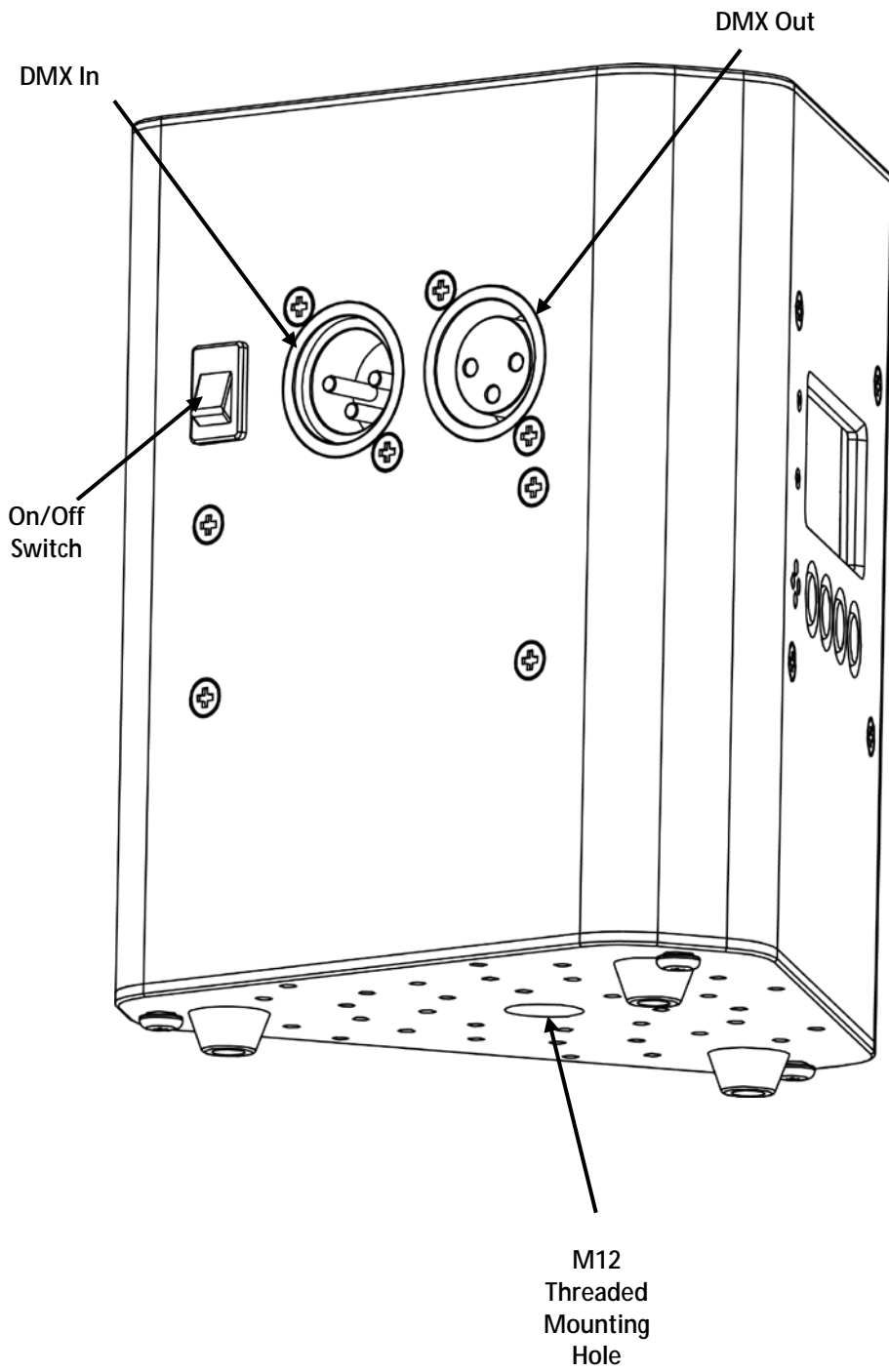
- Keep this User Manual for future use. If you sell the product to another user, be sure to give this document to the next owner.

2. INTRODUCTION

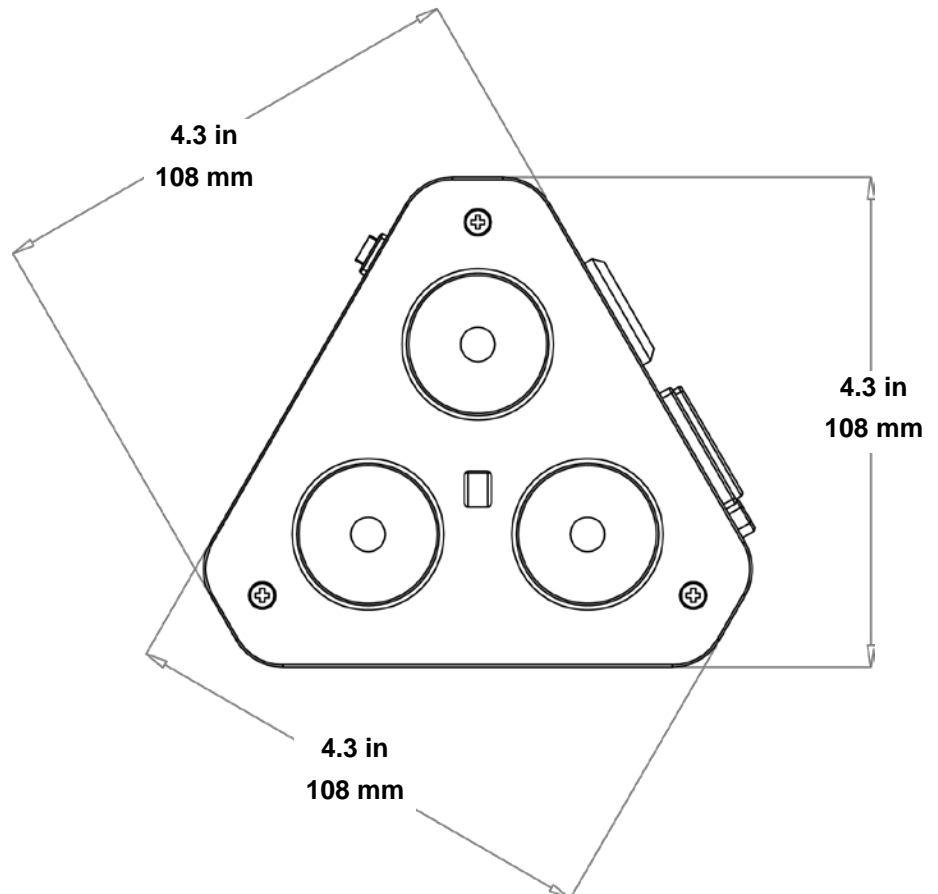
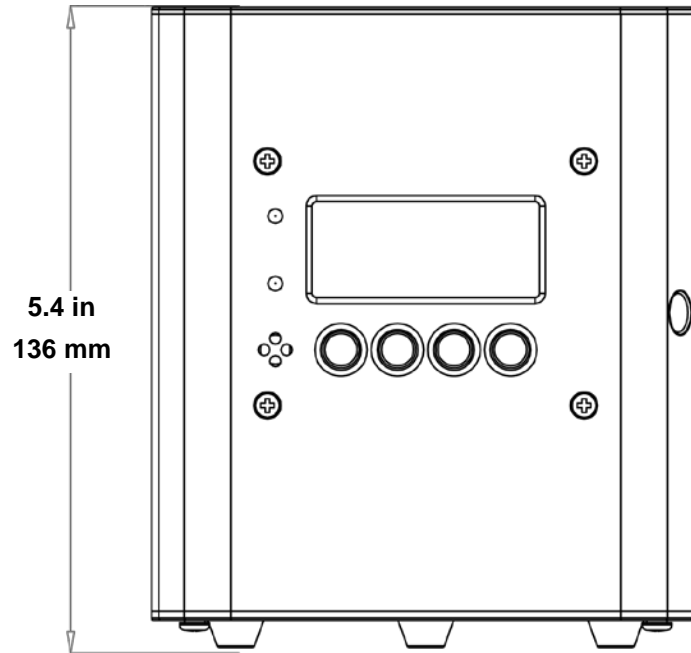
Overview



Overview (cont.)



Dimensions



3. SETUP

AC Power The EZwedge™ Tri has an internal auto-ranging power supply and it can work with an input voltage range of 100 to 240 VAC, 50/60 Hz.

To determine the product's power requirements (circuit breaker, power outlet, and wiring), use the current value listed on the label affixed to the product's back panel, or refer to specifications sheet in this manual. The listed current rating indicates the product's average current draw under normal conditions.

For more information, you may download Sizing Circuit Breakers from the Chauvet website www.chauvetlighting.com/download/.



Always connect the product to a protected circuit (circuit breaker or fuse). Make sure the product has an appropriate electrical ground to avoid the risk of electrocution or fire.



Never connect the product to a rheostat (variable resistor) or dimmer circuit, even if the rheostat or dimmer channel serves only as a 0 to 100% switch.

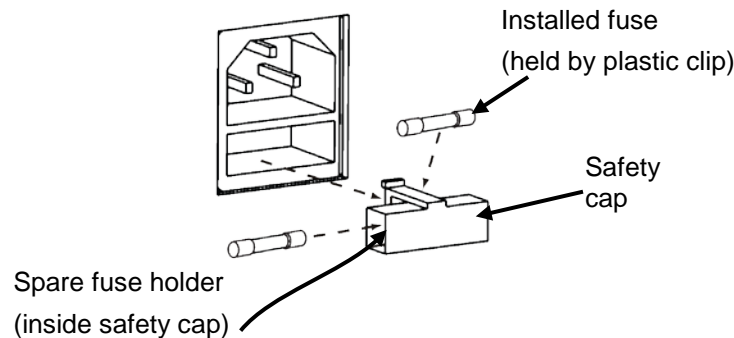
Fuse Replacement

1. Disconnect the product from power.
2. Wedge the tip of a flat-head screwdriver into the slot of the fuse holder.
3. Pry the fuse holder out of the housing.
4. Remove the blown fuse from the holder.
5. Replace with a fuse of the exact same type and rating.
6. Insert the fuse holder back in place and reconnect power.



Disconnect the product from power before replacing the fuse.

Fuse Replacement Diagram



Always replace a blown fuse with another of the same type and rating.

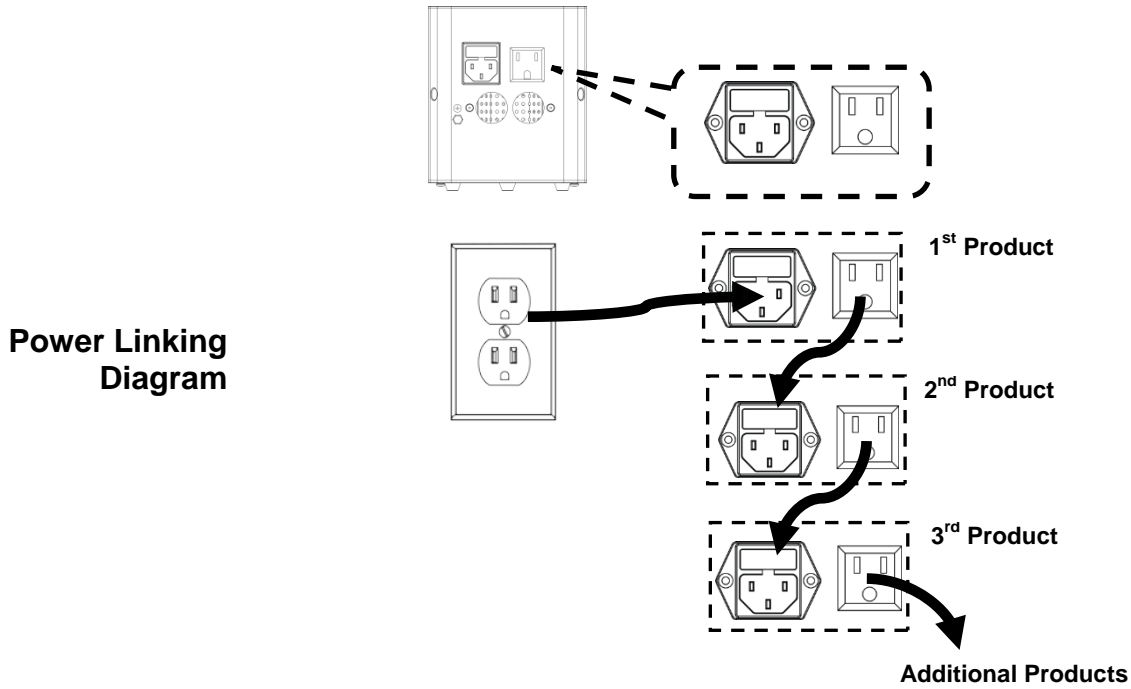


A spare fuse is not included; however, the safety cap has room for a spare.

Power Linking

Daisy chaining products together through their Power In and Power Out sockets, called power linking, allows many products to be powered from one power outlet. The product provides power linking via the Edison/IEC outlet located in the back of the unit.

The diagram below illustrates the power-linking process.



Up to 33 EZwedge™ Tri products can be power linked at 120 V and up to 57 EZwedge™ Tri products can be power linked at 230 V.



If using this product anywhere other than North America, consult with the local Chauvet distributor because power linking connectors and requirements differ from country to country, and region to region

Charging the Battery

The EZwedge™ Tri comes with a rechargeable lithium battery for cable-free operation. To charge the battery, simply plug in the external power cord at any time before, during, or after operation. You can charge the battery with the LEDs off by leaving the power switch in the Off position. The indicator light on the unit turns red while connected to power, green indicator turns in when the battery is done charging.



For optimal battery life, charge the EZwedge™ Tri battery for 24 hours prior to initial use.

Battery Run Time

Maximum Run Time (all colors on)	Maximum Run Time (single color on)	Recharge Time
Up to 8 hours	Up to 20 hours	6 hours

Mounting Before mounting the product, read and follow the safety recommendations indicated in [Safety Notes](#).

Orientation The EZwedge™ Tri is designed to fit perfectly inside the TRUSST® Goal Post and Arch Kit truss systems. It attaches to 35-to-50 mm truss without the need for a bracket, using M10 and M12 threaded rigging points. The product may be mounted in any position; however, place the product so there is at least 20" of space around it and it is accessible for programming and control panel operation.

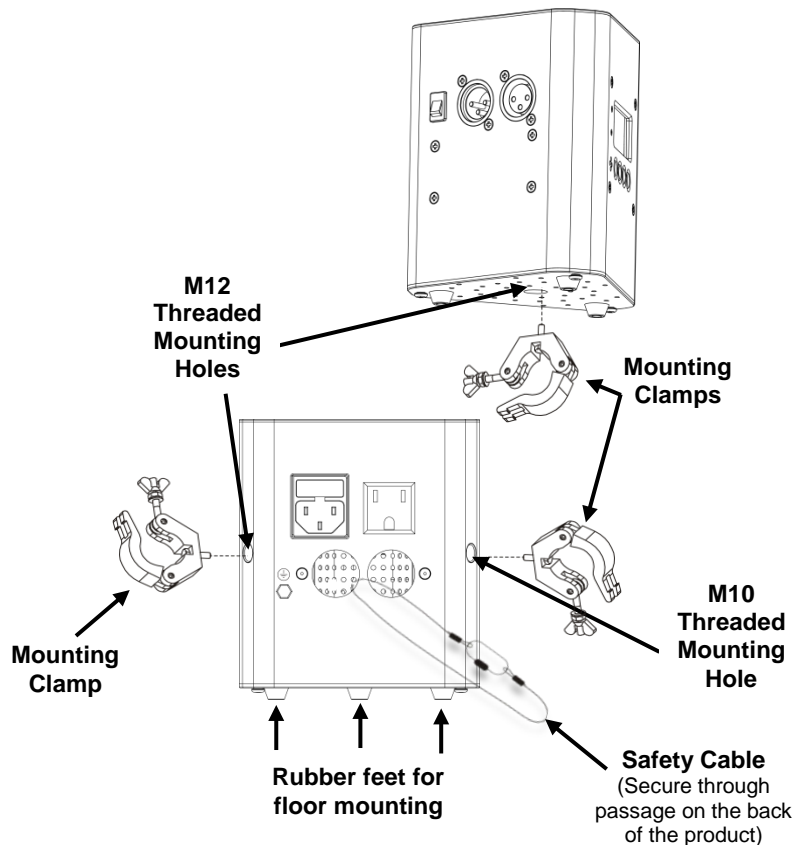
Rigging Rig the product from a structure or surface that can support the product's weight. See [Technical Specifications](#) in this manual for the product's weight.

When mounting the product overhead, always use a mounting clamp and safety cable. Mount the product securely to a rigging point, such as a pipe or truss. The CHAUVET® CH-05 safety cable is appropriate for this product.

When rigging the product onto a truss, you should use a mounting clamp of appropriate weight capacity. The EZwedge™ Tri has an M10 and two M12 threaded mounting holes, which are appropriate for this purpose. (such as **CLP-15** from Chauvet for the M12 or **CLP-10 / CLP-35HC** from Chauvet for the M10) For the CHAUVET® line of mounting clamps, go to www.chauvetlighting.com/cables-clamps-main.html/.

The rubber feet also serve as floor supports. When mounting the product on the floor, make sure that the product and cables are away from people and vehicles

Rigging Diagram



DMX Linking

EZwedge™ Tri operates in Master/Slave mode or in DMX mode, both of which require DMX linking. In Master/Slave mode the master product sends DMX signals to the slaves. In DMX mode the lighting control board sends DMX signals to the products.

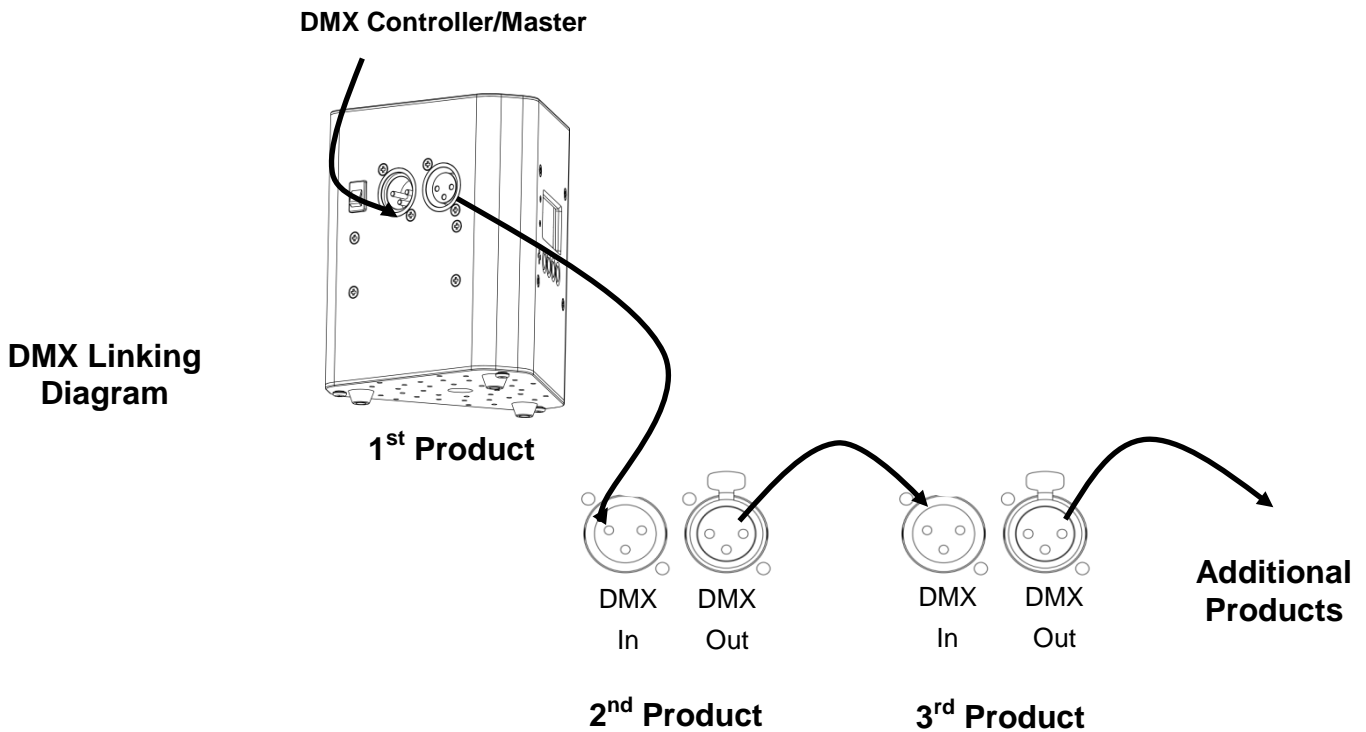
To DMX-link a number of EZwedge™ Tri, connect the DMX cable from DMX Out of the master, or the board, to DMX In of the first product.

Then connect another DMX cable from DMX Out of the first product to DMX In of the next product.

Continue connecting each subsequent product until all the products are part of the chain.



When DMX linking EZwedge™ Tri products for Master/Slave operation, the DMX controller is not a part of the DMX daisy chain and the master is the first product in the chain. See [Master/Slave Mode](#) for details.



Master/Slave Mode

Master/Slave mode allows a single EZwedge™ Tri (the master) to control the actions of one or more EZwedge™ Tri units (the slaves) without a DMX controller.

The master will be set to operate in either Auto or Sound-Active mode, while the slaves will be set to operate in Slave mode. Once set and connected, the slaves will operate in unison with the master.

Configure the units as indicated below.

Slaves:

1. Press **<MENU>** repeatedly until any DMX personality shows on the display.
2. Press **<ENTER>** to accept.
3. Set the DMX address to **d 1**.
4. Connect the DMX input of the first slave to the DMX output of the master.
5. Connect the DMX input of the subsequent slaves to the DMX output of the previous slave.
6. Finish setting and connecting all the slaves.

Master:

- Set the master to operate in either Auto or Sound-Active mode.
- Make the master the first unit in the DMX daisy chain.
- **Configure all the slaves before connecting the master to the DMX daisy chain.**
- **Never connect a DMX controller to a DMX daisy chain of master and slaves.**
- **Make the master the first unit in the DMX daisy chain.**
- **Always put the male DMX connector into the master.**
- **DO NOT connect more than 31 slaves to the master.**



4. OPERATION

Control Panel Operation To access the control panel functions, use the four buttons located underneath the display.

Button	Function
<MENU>	Selects an operation mode
<UP>	Scrolls up the list of options or selects a higher value
<DOWN>	Scrolls down the list of options or selects a lower value
<ENTER>	Activates a menu option or a selected value

Menu Map The Menu Map outlines the functions available through the menu, the programming levels that can be entered, and a description for each function.

Main Function	Programming Levels	Description
DMX Personalities and Starting Address	3-CH	d 1–d512
	8-CH	
Static Colors	C--	C 1
		C 2
		C 3
		C 4
		C 5
		C 6
		C 7
Auto Mode	P--	P 1
		P 2
		P 3
		P 4
Program Speed	S--	S 1–S100
Sound-Active Mode	Snd	Snd1
		Snd2
Sound Sensitivity	SenS	u 0–u100
Custom Settings	U--	r 0–r255
		g 0–g255
		b 0–b255
Dimmer Mode	DIM	OFF
		dIM1
		dIM2
		dIM3
Infrared	SET	On
		OFF

DMX Configuration

Set the product in DMX mode to control with a DMX controller.

1. Connect the product to a suitable power outlet.
2. Connect a DMX cable from the DMX output of the DMX controller to the DMX input socket on the product.

DMX Personalities and Starting Address

When selecting a starting DMX address, always consider the number of DMX channels the selected DMX mode uses. If you choose a starting address that is too high, you could restrict the access to some of the product's channels.

The EZwedge™ Tri uses up to 8 DMX channels in its 8-channel DMX mode, which defines the highest configurable address to **505**.

If unfamiliar with DMX, download the DMX Primer from www.chauvetlighting.com.

To select the DMX personality and starting address, do the following:

1. Press **<MENU>** repeatedly until **3-CH** (3-channel mode) or **8-CH** (8-channel mode) shows on the display.
2. Press **<ENTER>** and **d 1-d512** shows on the display.
3. Use **<UP>** or **<DOWN>** to select the starting address.
4. Press **<ENTER>**.



After the DMX starting address and personality have been set, there will be a delay of 30 seconds before the display automatically returns to showing the current DMX address and the DMX personality.

DMX Channel Assignments and Values

The following tables show which DMX channels control which functions in each of the DMX personalities. Be sure to become familiar with these values when operating the product with a DMX controller.

8-CH	Channel	Function	Value	Setting
	1	Red	000 ó 255	0—100%
	2	Green	000 ó 255	0—100%
	3	Blue	000 ó 255	0—100%
	4	Color Macros	000 ó 015	No function
			016 ó 255	Color macros
	5	Strobe	000 ó 015	No function
			016 ó 255	Strobe, slow to fast
	5	Speed	000 ó 255	Auto programs speed, slow to fast (when Channel 6 is 032—223)
	6	Auto Programs	000 ó 031	No function
			032 ó 063	0—100%
			064 ó 095	100%—0
			096 ó 127	100%—0—100%
			128 ó 159	Color fade
			160 ó 191	3-color snap
			192 ó 223	7-color snap
		224 ó 255	Sound-Active	
	7	Dimmer	000 ó 255	0—100%
	8	Dimmer Mode	000 ó 051	Dimmer mode manually set in Menu Options
			052 ó 101	Dimmer mode off
			102 ó 152	Dimmer mode 1, (fast speed)
			153 ó 203	Dimmer mode 2, (medium speed)
			204 ó 255	Dimmer mode 3, (slow speed)

3-CH	Channel	Function	Value	Percent/Setting
	1	Red	000 ó 255	0—100%
	2	Green	000 ó 255	0—100%
	3	Blue	000 ó 255	0—100%

Configurations (Standalone)

Use standalone configurations to operate the product without a DMX controller. There are a variety of Standalone modes and they are powerful tools for making exciting looks.



Never connect a product operating in a standalone mode (Sound-Active, Auto, or IR) to a DMX chain that includes a DMX controller. Products in standalone mode can transmit DMX signals that interfere with the DMX signals from the controller

Sound-Active Mode

Sound-Active mode sets the product to respond to sounds and music.

To enable the Sound-Active mode, do the following:

1. Press **<MENU>** repeatedly until **Snd** shows on the display.
2. Press **<ENTER>** and **Snd1** (3-color) or **Snd2** (7-color) shows on the display.
3. Use **<UP>** or **<DOWN>** to select the desired Sound-Active program.
4. Press **<ENTER>**.

Sound Sensitivity

To set the sound sensitivity, follow the instructions below:

1. Press **<MENU>** repeatedly until **SenS** shows on the display.
2. Use **<UP>** or **<DOWN>** to select the desired sound sensitivity (**u 0–u100**).
3. Press **<ENTER>**.



**The product will respond only to low frequencies of music (bass and drums).
If the product is not responding to sound, increase the sensitivity.**

Auto Mode

Auto mode sets the product to 1 of 4 preset color changes.

To set the product to Auto mode, do the following:

1. Press **<MENU>** repeatedly until **P--** shows on the display.
2. Press **<ENTER>** and **P 1–P 4** shows on the display.
3. Use **<UP>** or **<DOWN>** to select the desired auto program:
 - **P 1** - 3-color snap
 - **P 2** - 3-color fade
 - **P 3** - 7-color snap
 - **P 4** - 7-color fade
4. Press **<ENTER>**.

Program Speed

To set the auto program speed, follow the instructions below:

1. Press **<MENU>** repeatedly until **S--** shows on the display.
2. Use **<UP>** or **<DOWN>** to select the desired auto program speed (**S 1–S100**, slow to fast).
3. Press **<ENTER>**.

Selecting the Dimmer Mode

To select the dimmer mode, do the following:

1. Press **<MENU>** repeatedly until **dIM** shows on the display.
2. Press **<ENTER>** and one of the following shows on the display:
 - **OFF** (dimmer speed off)
 - **dIM1** (dimmer mode 1, fast speed)
 - **dIM2** (dimmer mode 2, middle speed)
 - **dIM3** (dimmer mode 3, slow speed)
3. Use **<UP>** or **<DOWN>** to select the desired dimmer mode.
4. Press **<ENTER>**.

Static Colors To select a preset static color, do the following:

1. Press **<MENU>** repeatedly until **C--** shows on the display.
2. Press **<ENTER>**.
3. Use **<UP>** or **<DOWN>** to select the desired preset color:
 - **C 1** - Red
 - **C 2** - Green
 - **C 3** - Blue
 - **C 4** - Cyan
 - **C 5** - Magenta
 - **C 6** - Yellow
 - **C 7** - White
4. Press **<ENTER>**.

Custom Color To custom mix a color, follow the instructions below:

Mixing

1. Press **<MENU>** repeatedly until **U--** shows on the display.
2. Press **<ENTER>** and one of the following colors shows on the display: **rXXX** (red), **gXXX** (green), or **bXXX** (blue).
3. Press **<ENTER>** repeatedly to select the desired color.
4. Use **<UP>** or **<DOWN>** to select the desired color value (**0–255**, 0–100%).
NOTE: Selecting **0** will turn the color off.
5. Press **<ENTER>** to select color value and continue to the next color.
6. Repeat steps 3 to 5 until you create your desired color.

IR Mode IR mode allows the product to be controlled with an infrared remote controller. The IRC-6 can remotely set the product to various modes; adjust the color, speed and sensitivity; and set the strobe.

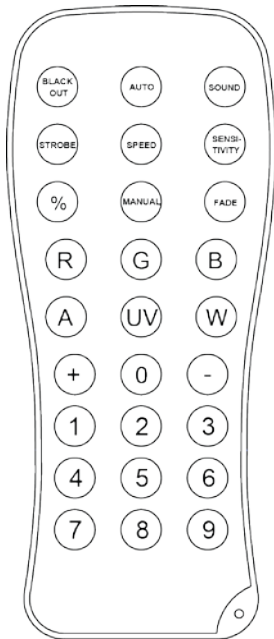
The EZwedge™ Tri is compatible with the IRC-6 from Chauvet. To enable use with the IRC-6, follow the instructions below:

1. Press **<MENU>** repeatedly until **SET** shows on the display.
2. Press **<ENTER>** and **On** (turns on the infrared sensor) or **OFF** (turns off the infrared sensor) shows on the display.
3. Use **<UP>** or **<DOWN>** to select the desired option.
4. Press **<ENTER>**.

IRC-6 Operations



Be sure the IRC-6 remote is pointing directly at the product and there is nothing in between the remote and the product.



Automatic Mode

Automatic mode will enable you to run the automatic programs on the product.

To turn on Automatic mode:

1. Press **<AUTO>** on the IRC-6.
2. Press **<+>** or **<->** to choose between the different auto programs.

To adjust the speed of the automatic program:

1. Press **<SPEED>** on the IRC-6.
2. Press **<%>**.
3. Press **<+>** or **<->** to either increase or decrease the speed of the program.

Sound-Active Mode

Sound-Active mode will enable the product to respond to the music.

To turn on Sound-Active mode:

- Press **<SOUND>** on the IRC-6.

To adjust sound sensitivity in Sound-Active mode:

1. Press **<SENSITIVITY>** on the IRC-6.
2. Press **<%>**.
3. Press **<+>** or **<->** to either increase or decrease sound sensitivity.

Manual Color Control

To choose a specific color with the IRC-6:

1. Press **<MANUAL>** on the IRC-6.
2. Press any number between **<0>** and **<9>** to choose your color.

To manually control the RGBWA+UV percentage:

1. Press **<MANUAL>** on the IRC-6.
2. Press **<R>**, **<G>**, or **** (red, green, or blue) to choose your color.

Note: The Wedge™ Tri only contains red, green, and blue LEDs. The white, amber, and UV color options on the IRC-6 will only operate with fixtures capable of outputting these color lights.

3. Press **<+>** or **<->** to increase or decrease the percentage of each color.

Miscellaneous Operation

To adjust the strobe rate of the program:

1. Press **<STROBE>** on the IRC-6.
2. Press **<+>** or **<->** to increase or decrease the strobe rate.
3. Press **<STROBE>** again to turn off the strobe.

To fade the light output:

- Press **<FADE>** on the IRC-6.

To black out the lights:

- Press **<BLACK OUT>** on the IRC-6. This will turn off all the lights until the button is pressed again.
- **Note:** The IRC-6 will not respond to any inputs when the Black Out mode is activated. If the remote does not respond when a button is pressed, try pressing **<BLACK OUT>**. You may have inadvertently activated the Black Out mode.

5. TECHNICAL INFORMATION

Product Maintenance Dust build-up reduces light output performance and can cause overheating. To maintain optimum performance, clean the product at least twice a month. However, usage and environmental conditions contribute to increasing the cleaning frequency.

To clean the product, follow the instructions below:

1. Unplug the product from power.
2. Wait until the product is at room temperature.
3. Use a vacuum (or dry compressed air) and a soft brush to remove dust collected on the external surfaces and vents.
4. Clean all external optics and transparent surfaces with a mild soap solution, ammonia-free glass cleaner, or isopropyl alcohol.
5. Apply the solution directly to a soft, lint-free cotton cloth or a lens cleaning tissue.
6. Softly wipe any dirt or grime to the outside edges of the external optics or transparent surface.
7. Gently polish the external optics and transparent surfaces until they are free of haze and lint.



Always dry the lens surfaces carefully after cleaning them.

6. TECHNICAL SPECIFICATIONS

Dimensions and Weight	Length	Width	Height	Weight
	4.3 in (108 mm)	4.3 in (108 mm)	5.4 in (136 mm)	2.8 lb (1.3 kg)
Note: Dimensions in inches rounded to the nearest decimal digit.				
Power	Input Voltage	Range	Voltage Selection	
	Switching (internal)	100–240 VAC, 50/60 Hz	Auto-ranging	
	Parameter	120 VAC, 60 Hz	230 VAC, 50 Hz	
	Consumption	17 W	16 W	
	Operating current	0.2 A	0.1 A	
	Power linking current (units)	8 A (33 units)	8 A (57 units)	
	Fuse	T 1 A, 250 V	T 1 A, 250 V	
	Power I/O	US/Canada	Worldwide	
	Power input connector	IEC	IEC	
	Power output connector	Edison	IEC	
Power cord plug	Edison (US)	Local plug		
LED	Type	Power	Lifespan	
	LED	3 W	50,000 hours	
	Color	Quantity	Current	
	Tri-color	3	1,050 mA	
Photo Optic	Parameter			
	Field angle	30°		
	Beam angle	16°		
	Strobe rate	0 to 17 Hz		
	Illuminance @ 2 m	1,066 lux		
Thermal	Maximum External Temp.	Cooling System		
	104 °F (40 °C)	Convection		
DMX	I/O Connectors	Connector Type	Channel Range	
	3-pin XLR	Sockets	3 or 8	
Ordering	Product Name	Item Code	UPC Number	
	EZwedge™ Tri	03030817	781462211653	



RETURNS

To return a product or request support:

- In the U.S., contact Chauvet World Headquarters (see [Contact Us](#)).
- In the UK or Ireland, contact Chauvet Europe Ltd. (see [Contact Us](#)).
- In Mexico, contact Chauvet Mexico (see [Contact Us](#)).
- In any other country, DO NOT contact Chauvet. Contact your distributor. See www.chauvetlighting.com for distributors outside the U.S., United Kingdom, Ireland, or Mexico.



If you live outside the U.S., United Kingdom, Ireland, or Mexico, contact your distributor of record and follow their instructions on how to return Chauvet products to them. Visit our website for contact details.

Call the corresponding Chauvet Technical Support office and request a Return Merchandise Authorization (RMA) number before shipping the product. Be prepared to provide the model number, serial number, and a brief description of the cause for the return.

You must send the merchandise prepaid, in its original box, and with its original packing and accessories. Chauvet will not issue call tags.

Clearly label the package with the RMA number. Chauvet will refuse any product returned without an RMA number.



Write the RMA number on a properly affixed label. DO NOT write the RMA number directly on the box.

Before sending the product, clearly write the following information on a piece of paper and place it inside the box:

- Your name
- Your address
- Your phone number
- RMA number
- A brief description of the problem

Be sure to pack the product properly. Any shipping damage resulting from inadequate packaging will be your responsibility. FedEx packing or double-boxing is recommended.



Chauvet reserves the right to use its own discretion to repair or replace returned product(s).

CONTACT Us

WORLD HEADQUARTERS - Chauvet

General Information

Address: 5200 NW 108th Avenue
Sunrise, FL 33351
Voice: (954) 577-4455
Fax: (954) 929-5560
Toll free: (800) 762-1084

Technical Support

Voice: (954) 577-4455 (Press 4)
Fax: (954) 756-8015
Email: tech@chauvetlighting.com

World Wide Web www.chauvetlighting.com

UNITED KINGDOM AND IRELAND - Chauvet Europe Ltd.

General Information

Address: Unit 1C
Brookhill Road Industrial Estate
Pinxton, Nottingham, UK
NG16 6NT
Voice: +44 (0)1773 511115
Fax: +44 (0)1773 511110

Technical Support

Email: uktech@chauvetlighting.com

World Wide Web www.chauvetlighting.co.uk

MEXICO - Chauvet Mexico

General Information

Address: Av. Santa Ana 30
Parque Industrial Lerma
Lerma, Mexico C.P. 52000
Voice: +52 (728) 285-5000

Technical Support

Email: servicio@chauvet.com.mx

World Wide Web www.chauvet.com.mx

Outside the U.S., United Kingdom, Ireland, or Mexico, contact your dealer. Follow their instructions to request support or to return a product. Visit our website for contact details.