

SX
SERIES

SUBWOOFERS



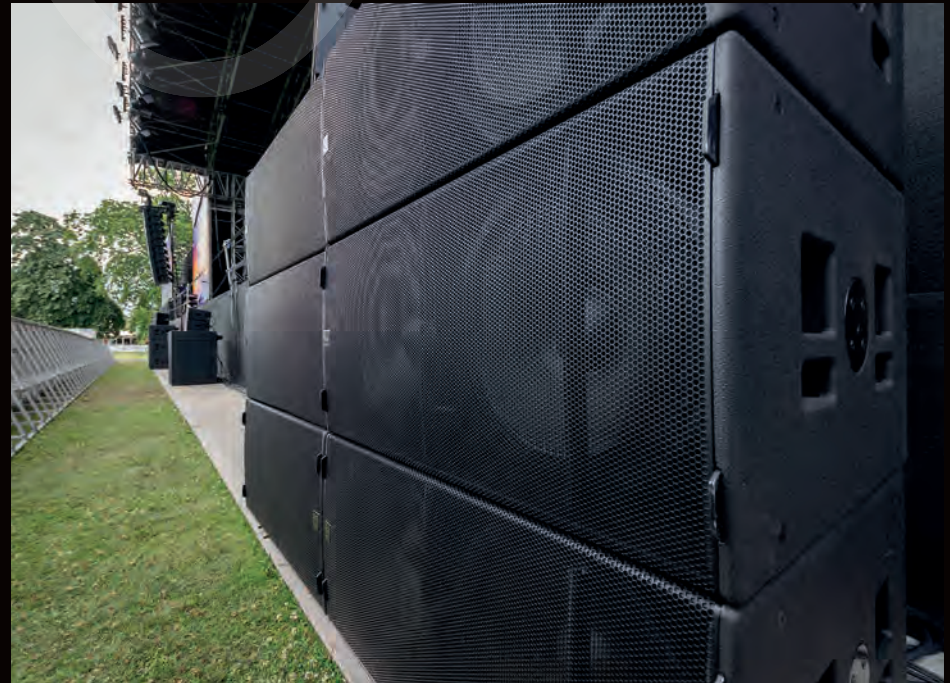
Unite Your Audience
The Martin Audio Experience

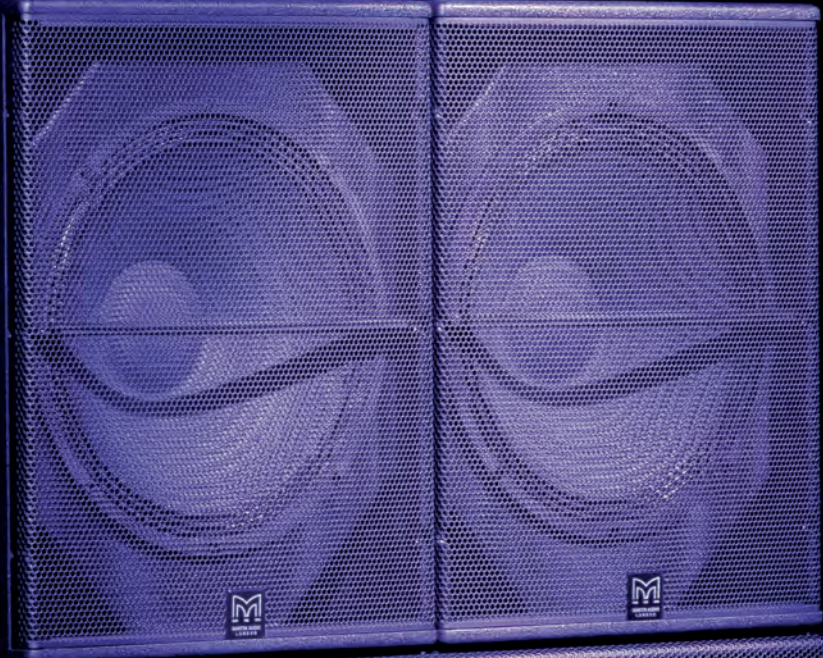
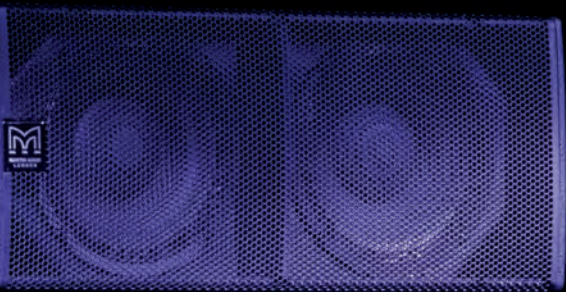


SX SERIES

SUBWOOFERS

Martin Audio's SX Series of subwoofers are designed to meet a multitude of installation and live sound application needs that call for increased impact and low frequency performance, partnering with our loudspeakers across the portfolio.





SX110

Slimline Subwoofer



The SX110 is a slimline subwoofer designed for applications that call for increased impact and low frequency performance in a visually unobtrusive enclosure. Its very small size makes it perfectly suited to installed sound applications where space is limited such as under banquet seating.

It features a 10" (250mm)/2" (50mm) voice coil driver and generously sized low frequency port for reduced air noise. An ideal subwoofer to augment the bass output of ADORN Series or small CDD loudspeakers, it can be used on the ground or flown using integral M8 inserts

The SX110 enclosure is constructed from plywood and finished in black or white textured paint as standard. An impact-resistant perforated steel grille protects the drivers, and rubber feet on the base resist movement.

When used with Martin Audio full-range systems, crossover and EQ functions can be performed by the DX0.5 system controller.

Features

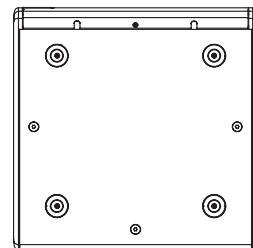
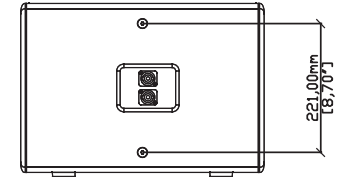
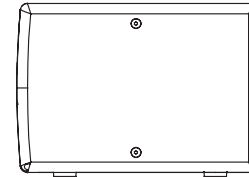
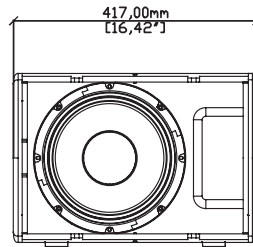
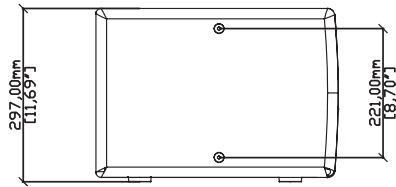
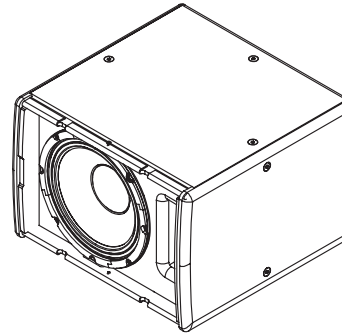
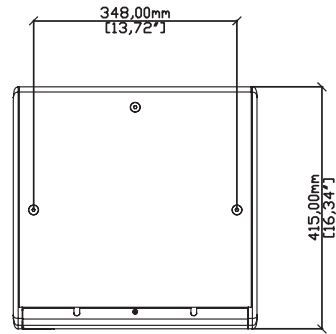
- Slimline direct-radiator subwoofer
- 1 x 10" (250mm) driver with 2" (50mm) voice coil
- Large port for reduced air noise
- Perforated steel grille
- 8Ω nominal impedance
- M8 flying inserts

Applications

- Retail outlets
- Cafes, bars and restaurants
- Museums and Houses of Worship
- Fitness clubs
- Educational facilities
- Hotels and convention centres

Technical Specifications

TYPE	Slimline, direct radiating subwoofer
FREQUENCY RESPONSE (1)	50Hz-150Hz ± 3dB -10dB @ 42Hz
DRIVER	1 x 10" (250mm)/2" (50mm) voice coil, long excursion, ferrite magnet
RATED POWER (2)	250W AES, 1000W peak
RECOMMENDED AMPLIFIER	VIA2502
SENSITIVITY (10)	97dB
MAXIMUM SPL (9)	121dB continuous, 127dB peak (half space)
NOMINAL IMPEDANCE	8 ohms
DISPERSION (-6dB)	Omnidirectional
CROSSOVER	80-120Hz active
ENCLOSURE	Plywood
FINISH	Black or white
PROTECTIVE GRILLE	Perforated steel
CONNECTORS	2 x NL4 type
PIN CONNECTIONS (INPUT)	+1, -1 Link through: +2, -2
PIN CONNECTIONS (LINK)	+1, -1 Link through: +2, -2
FITTINGS	12 x M8 inserts
DIMENSIONS (INCL FEET)	(W) 417mm x (H) 297mm x (D) 415mm (W) 16.4ins x (H) 11.7ins x (D) 16.3ins
WEIGHT	12kg (26.5lbs)



SX110

SX
SERIES

SX210

Slimline Dual-driver Subwoofer



The SX210 is a slimline dual-driver subwoofer designed for situations that call for a visually unobtrusive enclosure. It can be used singly, stacked or flown via integral M8 inserts and its ultra-compact size makes it ideal for applications where space is limited. It features dual 10" (250mm)/2" (50mm) voice coil drivers and generously sized low frequency ports for reduced air noise.

The SX210 enclosure is constructed from plywood and finished in black textured paint as standard, with white and RAL colour finishes available to special order. An impact-resistant perforated steel grille protects the drivers, and the enclosure has twin ergonomic handles at the rear for easy handling. Rubber feet on the base resist movement and align with recesses in the top surface to assist stacking.

When used with full-range systems, crossover and EQ functions can be performed by the DX0.5 or DX4.0 system controller. The recommended amplifier is the VIA 2502, or VIA 5002 or VIA 5004 depending upon the size of the overall system.

Features

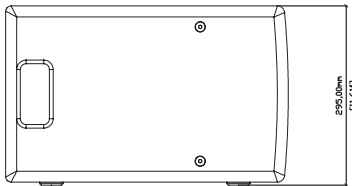
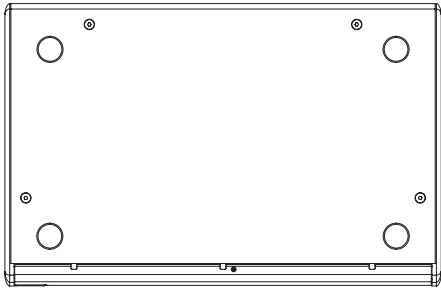
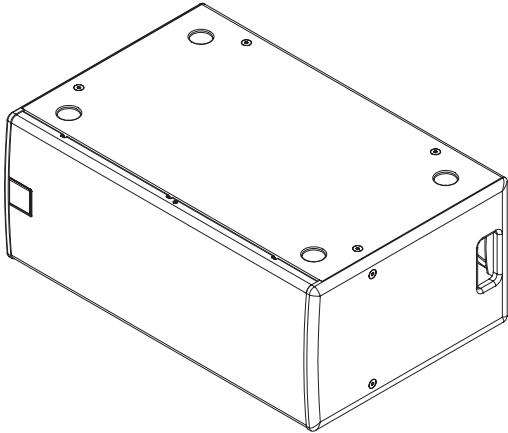
- Slimline direct-radiator subwoofer
- 2 x 10" (250mm) drivers with 2" (50mm) voice coils
- Large ports for reduced air noise
- Perforated steel grille
- 4Ω nominal impedance
- M8 flying inserts

Applications

- Portable sound reinforcement
- Live music clubs
- Bars and restaurants
- Nightclubs
- Corporate AV events and conferences
- Weddings and parties
- Secondary stages at festivals
- HoW, leisure centres and retail outlets

Technical Specifications

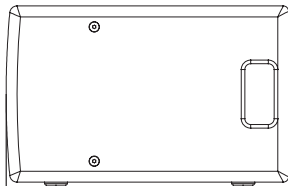
TYPE	Slimline, direct radiating subwoofer
FREQUENCY RESPONSE (1)	50Hz-150Hz ± 3dB -10dB @ 42Hz
DRIVER	2 x 10" (250mm)/2" (50mm) voice coil, long excursion, ferrite magnet
RATED POWER (2)	500W AES, 2000W peak
RECOMMENDED AMPLIFIER	VIA2502/5002/5004
SENSITIVITY (10)	103dB
MAXIMUM SPL (9)	127dB continuous, 133dB peak (half space)
NOMINAL IMPEDANCE	4 ohms
DISPERSION (-6dB)	Omnidirectional
CROSSOVER	80-120Hz active
ENCLOSURE	Birch/poplar ply
FINISH	Black textured paint
PROTECTIVE GRILLE	Black perforated steel
CONNECTORS	2 x NL4 type
PIN CONNECTIONS (INPUT)	1+/-
PIN CONNECTIONS (LINK)	1+/- to 1+/-
FITTINGS	16 x M8 inserts, 2 x bar handles
DIMENSIONS (INCL FEET)	(W) 718mm x (H) 295mm x (D) 465mm (W) 28.3ins x (H) 11.4ins x (D) 18.3ins
WEIGHT	20kg (44.1lbs)



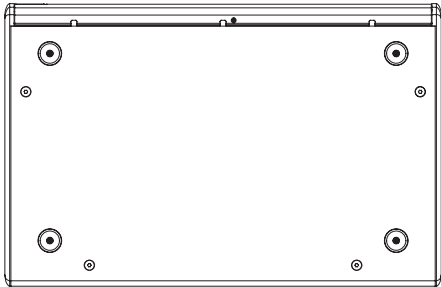
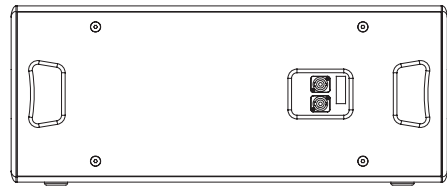
295,00mm
(11,61")



718,00mm
(28,27")



465,00mm
(18,31")

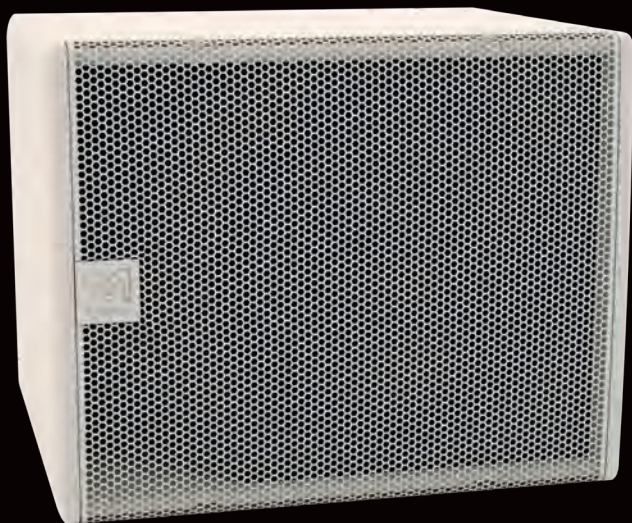


SX210



SX112

Ultra-Compact Subwoofer



The SX112 is an ultra-compact direct radiating sub-bass system designed to extend the bandwidth and increase the headroom of full-range loudspeaker models. It features a very efficient 12" (300mm) long-throw bass driver with a high power 3" (75mm) voice coil and generously-sized reflex ports for low noise, high power operation.

With a response of 48Hz-150Hz \pm 3dB, the ultra-compact size of the SX112 makes it an ideal partner for ADORN or CDD Series systems where space is at a premium or where the subwoofers need to be hidden. The enclosure is constructed from plywood and has an impact-resistant finish, while the driver is protected by a rigid perforated steel grille, which is pre-curved to withstand physical damage.

Finished in black (RAL9005) or white (RAL9016) as standard with integrated flying points, the SX112 can be also be supplied in any RAL colour to order.

When used with full-range systems, crossover and EQ functions can either be performed by the DX0.5 or DX4.0 system controllers.

Features

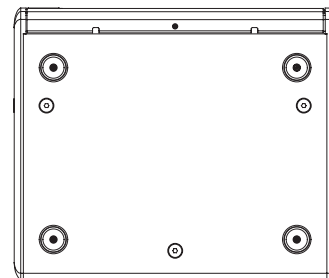
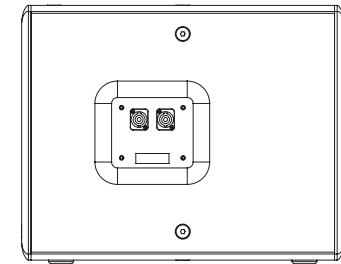
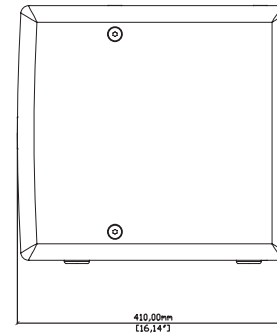
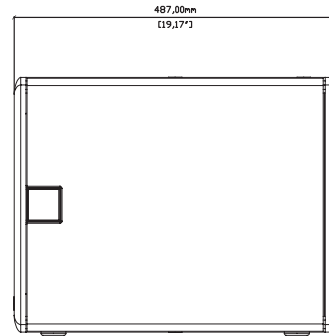
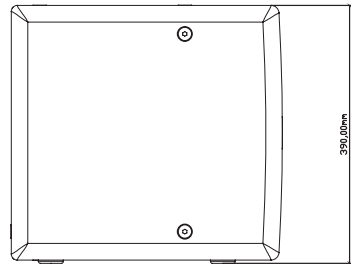
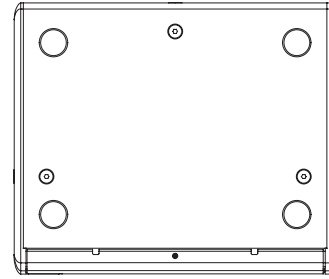
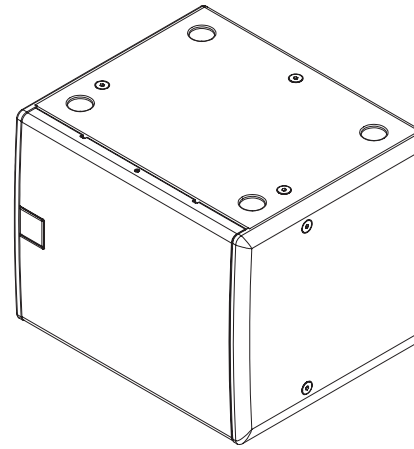
- Ultra-Compact, direct-radiator subwoofer
- 12" (300mm) driver with 3" (75mm) voice coil
- Water resistant cone
- Large ports for reduced air noise
- Perforated steel grille
- Black or white standard colour options
- Integrated flying points

Applications

- Live music clubs and bars
- Nightclubs
- Bars and restaurants
- Museums and AV spaces
- Convention centres
- Hotels
- Retail outlets
- Leisure centres
- Houses of Worship

Technical Specifications

Acoustical	
TYPE	Ultra-Compact, single driver, direct radiating subwoofer
FREQUENCY RESPONSE (1)	48Hz-150Hz \pm 3dB, -10dB @ 35Hz
DRIVER	12" (300mm)/3" (75mm) voice coil, long excursion, ferrite magnet, waterproof cone
RATED POWER (2)	400W AES, 1600W peak
RECOMMENDED AMPLIFIER	iK81 / VIA2502/5002/5004
SENSITIVITY (10)	100dB
MAXIMUM SPL (9)	126dB continuous, 132dB peak (half space)
NOMINAL IMPEDANCE	8 ohms
DISPERSION (-6dB)	Omnidirectional
CROSSOVER	80-120Hz active
ENCLOSURE	52 litres, Plywood
FINISH	Black or white textured paint
PROTECTIVE GRILLE	Black or white perforated steel
CONNECTORS	2 x NL4
PIN CONNECTIONS	Left to right: Input+, Input -, Link -, Link+
FITTINGS	12 x M10 inserts
DIMENSIONS	(W) 487mm x (H) 390mm x (D) 410mm (W) 19.2ins x (H) 15.4ins x (D) 16.1ins
WEIGHT	21.5kg (47.3lbs)



SX112

SX
SERIES

SX212

Compact Subwoofer



With twin high-efficiency 12" (300mm)/3" (75mm) voice coil long-throw bass drivers and optimally-sized reflex ports to minimise air noise, the SX212 is the perfect sub-bass where low frequency extension and impact is required from a very compact, unobtrusive, low-profile enclosure.

The SX212 is designed to be used with full-range loudspeaker systems and extends the low frequency operating range of the combined system down to 40Hz. The enclosure is constructed from plywood and is internally-braced to reduce energy transmission to the enclosure panels and baffle. Its perforated steel grille is pre-curved to withstand damage and it can be supplied fitted with optional flying points.

Finished in black (RAL9005) or white (RAL9016) as standard with integrated flying points, the SX212 can be also be supplied in any RAL colour to order.

When used with full-range systems, crossover and EQ functions can either be performed by the DX0.5 or DX4.0 system controllers.

Features

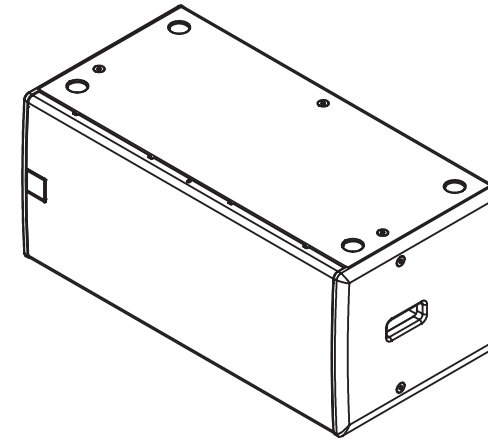
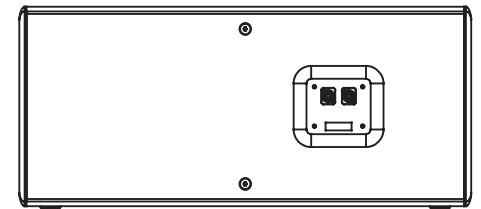
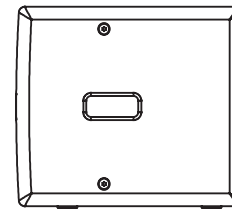
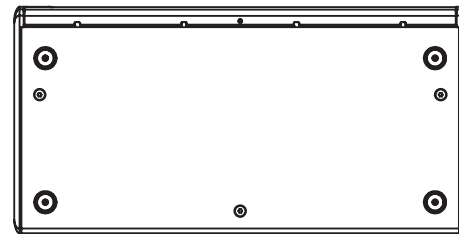
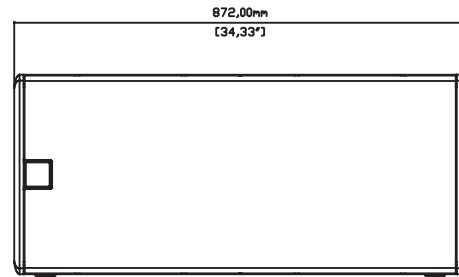
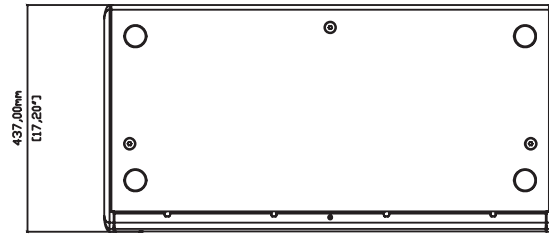
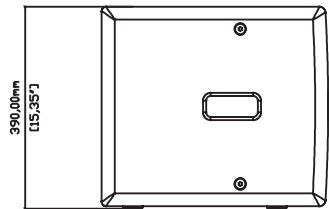
- Compact, direct-radiator subwoofer
- 2 x 12" (300mm) drivers with 3" (75mm) voice coils
- Water resistant cones
- Compact, low-profile styling
- Large ports for reduced air noise
- Perforated steel grille
- Black or white standard colour options
- Integrated flying points

Applications

- Live music clubs and bars
- Nightclubs
- Bars and restaurants
- Museums and AV spaces
- Convention centres
- Hotels
- Retail outlets
- Leisure centres
- Houses of Worship

Technical Specifications

Acoustical	
TYPE	Compact, dual-driver, direct radiating subwoofer
FREQUENCY RESPONSE (1)	48Hz-150Hz ± 3dB, -10dB @ 35Hz
DRIVER	2 x 12" (300mm)/3" (75mm) voice coil, long excursion, ferrite magnet, waterproof cone
RATED POWER (2)	800W AES, 3200W peak
RECOMMENDED AMPLIFIER	iK42 / VIA5002/5004
SENSITIVITY (10)	106dB
MAXIMUM SPL (9)	132dB continuous, 138dB peak (half space)
NOMINAL IMPEDANCE	4 ohms
DISPERSION (-6dB)	Omnidirectional
CROSSOVER	80-120Hz active
ENCLOSURE	100 litres, Plywood
FINISH	Black or white textured paint
PROTECTIVE GRILLE	Black or white perforated steel
CONNECTORS	2 x NL4
PIN CONNECTIONS	Left to right: Input+, Input -, Link -, Link+
FITTINGS	12 x M10 inserts
DIMENSIONS	(W) 872mm x (H) 390mm x (D) 437mm
	(W) 34.3ins x (H) 15.4ins x (D) 17.2ins
WEIGHT	39kg (86lbs)



SX212

SX
SERIES

SXF115

Compact Passive Subwoofer



The SXF115 is a passive subwoofer designed to extend the performance of Martin Audio WPM and MLA Mini systems down to 42Hz. Featuring a powerful, long-excursion 15" (380mm)/4" (100mm) voice coil driver in a very compact bass reflex enclosure, it can be flown as part of a WPM or MLA Mini array, or ground-stacked separately.

The design of the 15" driver maximises output while minimising power compression and distortion, and four reflex ports reduce air noise at very high output levels. The SXF115 enclosure is constructed from multi-laminate birch ply, finished with a durable polyurethane coating and equipped with a perforated steel grille, skids and twin bar handles. An M20 threaded fitting in the top surface facilitates pole-mounting of up to 4 WPM or MLA Mini enclosures.

Being a passive subwoofer, the SXF115 is ideal for flown WPM or MLA Mini fixed installations where ground-based, rack-mount amplification is preferred — either for ease of servicing, increased IP protection, or reduced visible cabling in the air.

When used with a WPM or MLA Mini array, Martin Audio iKON amplifiers or the MSX rack-mount power plant respectively deliver the correct drive characteristics to the SXF115, with onboard DSP presets for a variety of system configurations. Cardioid operation can be achieved by arranging the SXF115 in forward and rear-facing pairs.

By adding the input board cover accessory, the subwoofer is fully weather resistant and suitable for permanent outdoor usage.

Features

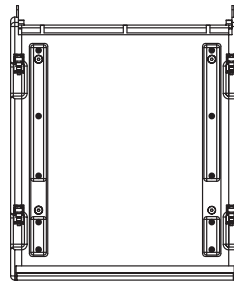
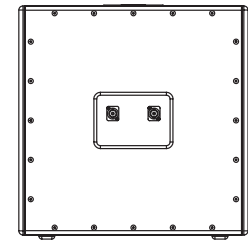
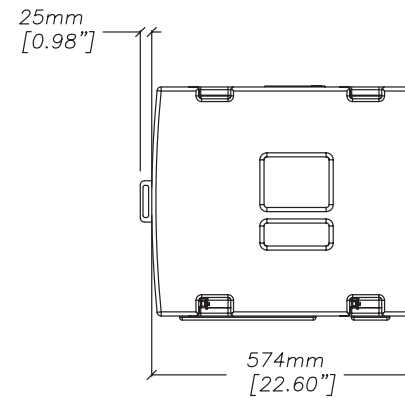
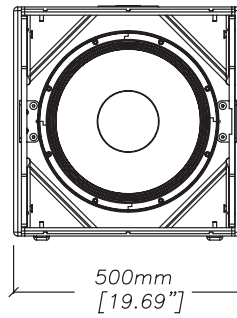
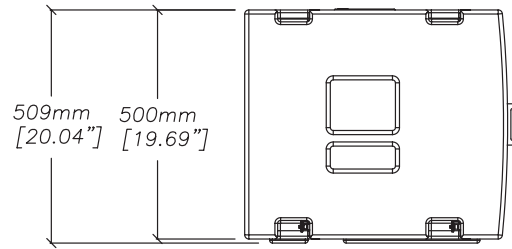
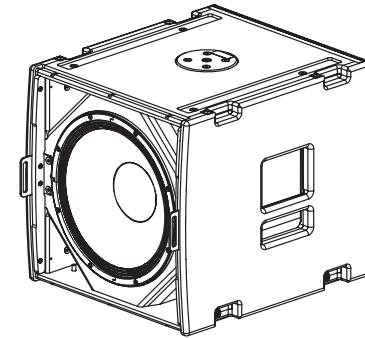
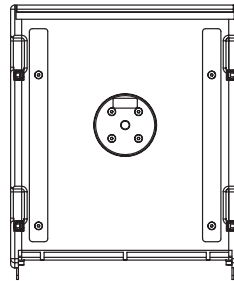
- Compact, high-performance subwoofer
- Ultra-long excursion 15" (380mm) driver with 4" (100mm) voice coil
- Large ports for reduced air noise
- Integral flying hardware compatible with WPM and MLA Mini
- M20 threaded pole-mount fitting
- Bar handles and skids

Applications

- Touring sound reinforcement for small and medium-size venues
- Fixed installations in concert halls, theatres, ballrooms and HoW
- Sports stadium and arena installations
- Corporate AV events and conferences
- Outdoor restaurant, bar and hotel entertainment areas
- Concourses and Theme Parks

Technical Specifications

TYPE	Compact, passive subwoofer
FREQUENCY RESPONSE (1)	50Hz – 150Hz ±3dB, -10dB @ 42Hz
DRIVER	15" (380mm)/4" (100mm) voice coil, ultra-long excursion, ferrite magnet
RATED POWER (2)	800W AES, 3200W peak
RECOMMENDED AMPLIFIER	iKON iK42, iK81
SENSITIVITY (10)	103dB
MAXIMUM SPL(9)	136dB peak
NOMINAL IMPEDANCE	4 ohms
DISPERSION	Omnidirectional/or Cardioid (paired)
ENCLOSURE	Multi-laminate birch ply
FINISH	Textured black PU coating
PROTECTIVE GRILLE	Black HEX perforated steel
CONNECTOR	2 x NL4
PIN CONNECTIONS (INPUT)	LF: +1, -1 Link through: +2, -2
PIN CONNECTIONS (LINK)	LF: +1, -1 Link through: +2, -2
FITTINGS	Two skids on base, with mating channels on top M20 top-mounted thread plate for pole mounting Integral flyware for suspension of up to 4 SXF115 Large bar handle on each side Two front-mounted latch plates for wheelboard
DIMENSIONS (INCL SKIDS)	(W) 500mm x (H) 509mm x (D) 574mm (725mm incl wheelboard) (W) 19.7in x (H) 20in x (D) 22.6in (28.5in incl wheelboard)
WEIGHT	45kg (99lbs) 52kg (115lbs) incl wheelboard
ACCESSORIES	Wheelboard Transit cover



SXF115

SX
SERIES

SX118

Compact, Direct Radiating Subwoofer



The SX118 is a compact, high performance subwoofer that extends the low frequency operating range of the system to 47Hz and provides exceptional low frequency output for such a compact enclosure. Please note this product has been updated since January 2019 from an earlier iteration.

SX118 features a long-excursion 18" (460mm)/4" (100 mm) voice coil driver with a water-resistant cone and triple roll surround in a compact reflex enclosure.

The design of the 18" driver maximises output while minimising power compression and distortion, and the four reflex ports have a large frontal area to reduce turbulent air noise at very high levels. The enclosure is constructed from multi-laminate birch ply, finished with a durable polyurea coating and equipped with a Zintec grille, twin grab handles, skids, flying inserts for installation and a threaded pole socket for pole-mounting point source loudspeakers or up to 4 WPM enclosures as a simple plug-and-play system.

The product is supplied as standard without cabinet wheels, but they are available as an accessory.

By adding the input board cover accessory, SX118 is fully weather resistant and suitable for permanent outdoor usage.

Features

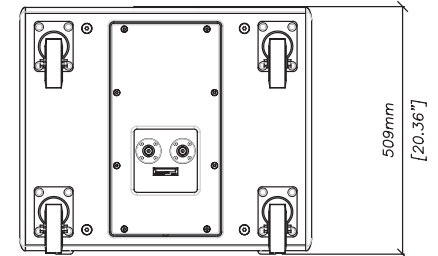
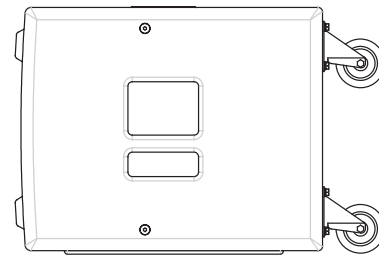
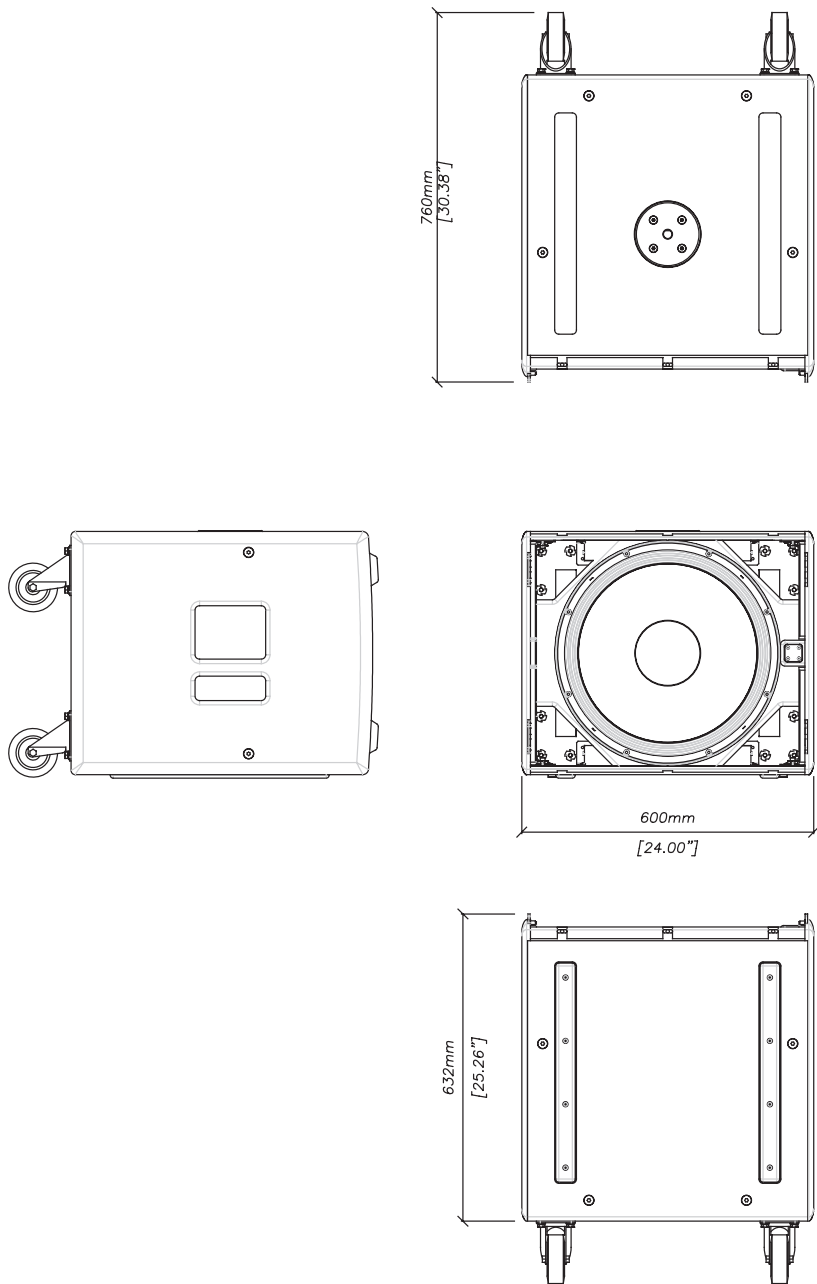
- Compact, direct radiating subwoofer
- 18" (460mm)/4" (100mm) voice coil, long excursion, ferrite magnet, waterproof cone
- High output capability
- Tour-grade plywood enclosure with flying inserts

Applications

- Touring sound reinforcement for small and medium-size venues
- Fixed installations in concert halls, theatres, ballrooms and HoW
- Sports stadium, arena installations & corporate AV events
- Secondary stages at festivals
- HoW, leisure centres and retail outlets
- Outdoor restaurant, bar and hotel entertainment areas
- Concourses and Theme Parks

Technical Specifications

TYPE	Compact, direct radiating subwoofer
FREQUENCY RESPONSE (1)	47Hz – 150Hz \pm 3dB, -10dB @ 41Hz
DRIVER	18" (460mm)/4" (100mm) voice coil, long excursion, ferrite magnet, waterproof cone
RATED POWER (2)	1000W AES, 4000W peak
SYSTEM AMPLIFIER	iKON iK42, iK81
SENSITIVITY (10)	102dB
MAXIMUM SPL(9)	138dB peak
NOMINAL IMPEDANCE	8 ohms
DISPERSION (-6dB)	Omnidirectional/or Cardioid (paired)
ENCLOSURE	Multi-laminate birch/poplar ply
FINISH	Textured black paint
PROTECTIVE GRILLE	Black perforated Zintec
CONNECTORS	2 x NL4
PIN CONNECTIONS (INPUT)	LF: +1, -1 Link through: +2, -2
PINS CONNECTIONS (LINK)	LF: +1, -1 Link through: +2, -2
FITTINGS	Two skids on base, with mating channels on top M20 top-mounted thread plate for pole mounting 16 x M10 mounting points 2 x bar handles, 1 on each side 4 x fittings for optional transit cover 16 x M8 inserts for optional castors
DIMENSIONS (INCL SKIDS)	(W) 600mm x (H) 509mm x (D) 632mm (760mm incl. castors) (W) 24in x (H) 20.36in x (D) 25.26in (30.38in incl. castors)
WEIGHT	43.5kg(96lbs) w/o castors, 47kg(104lbs) with castors
ACCESSORIES	16 x M8 inserts for optional castors, Input Board Cover, Transit Cover



SX118

Optional Castors shown fitted



SXC118

Compact, High Performance Cardioid Subwoofer



Designed for touring sound and installations, the SXC118 is a compact, high performance cardioid subwoofer. It features an 18" (460mm) forward facing driver and a 14" (356mm) rear facing driver, each driven independently by separate amplifier channels and DSP. Each driver has its own chamber with optimised bass reflex porting.

This arrangement produces a cardioid dispersion pattern which maximises the front radiation and reduces unwanted radiation behind the subwoofer. The recommended iK42 amplifier optimises the DSP parameters for front and rear drivers to maximise the rear rejection — from 21dB at 43Hz to 28dB at 75Hz. This keeps low frequencies away from stages, turntables and walls as well as reducing reverberant energy in the room, greatly improving the system's low frequency response accuracy and impact.

In front of the enclosure, the output from the two drivers is additive, giving an extra 2dB of output when compared with a conventional 1 x 18" subwoofer.

Features

- Compact, cardioid subwoofer
- Front facing 18" (460mm)/4" (100mm) voice coil driver
- Rear facing 14" (356mm)/3.5" (88mm) voice coil driver
- Cardioid dispersion pattern
- 28dB rear rejection at 75Hz
- High output capability
- Tour-grade plywood enclosure with flying inserts

Applications

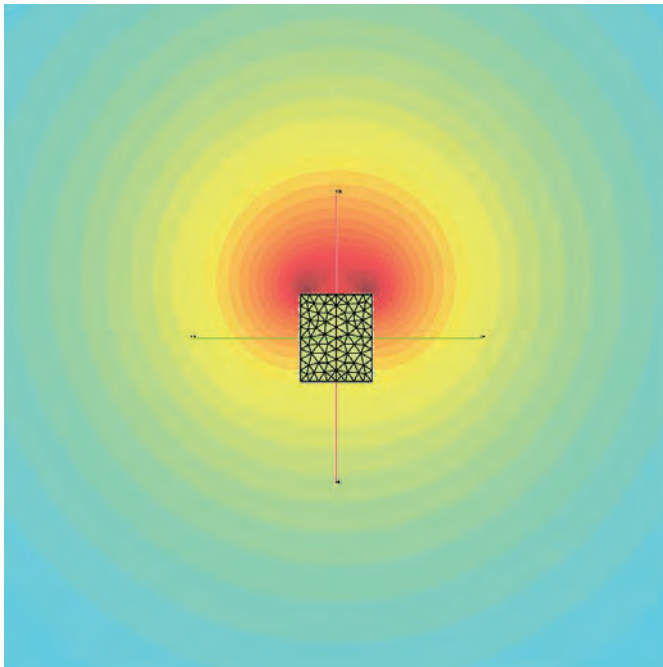
- Live sound reinforcement
- Fixed installations including live event venues and nightclubs
- Theatre sound
- Corporate AV events
- Acoustically-challenging rooms
- Outdoor restaurant, bar and hotel entertainment areas
- Concourses and Theme Parks
- Outdoor restaurant, bar and hotel entertainment areas
- Concourses and Theme Parks

The enclosure is constructed from plywood and finished with a hard-wearing textured paint. It is equipped with four grab handles and foam-backed perforated steel grilles protect the front and rear drivers. It can be used individually, stacked or flown individually by means of threaded flying inserts

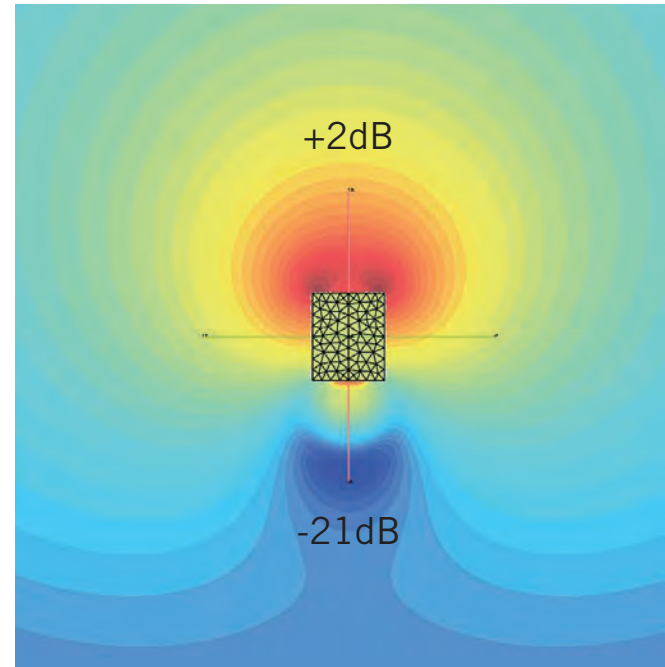
The SXC118 is an ideal partner for WPM line arrays or our range of point source loudspeakers where low frequency pattern control is required. Interlocking skids prevent movement when stacked and a threaded plate in the top surface facilitates pole-mounting of up to 4 WPM enclosures or a singular point source enclosure. The product is supplied as standard without castors but they can be purchased as an accessory.

By adding the input board cover accessory, the subwoofer is fully weather resistant and suitable for permanent outdoor usage.

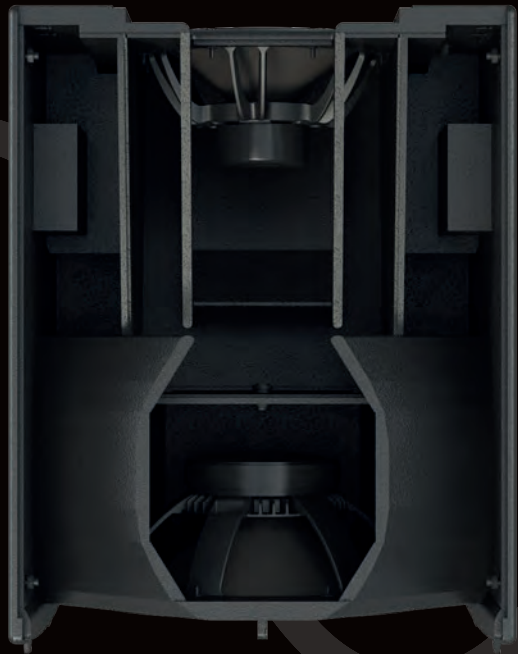
SXC118 – Dispersion Pattern vs Standard Single 18” Subwoofer



SX118 (Standard single 18”) - Subwoofer Energy Dispersion

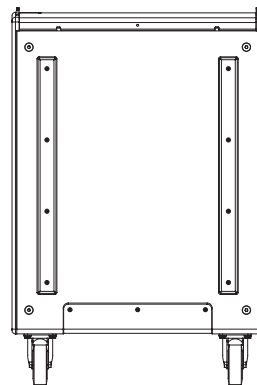
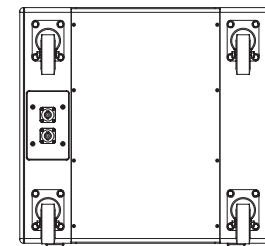
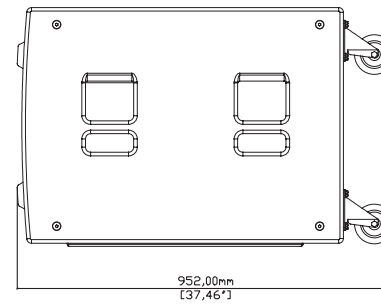
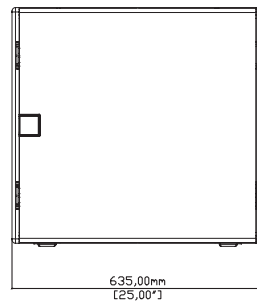
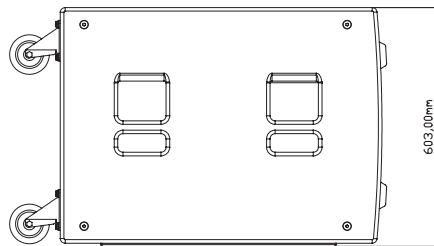
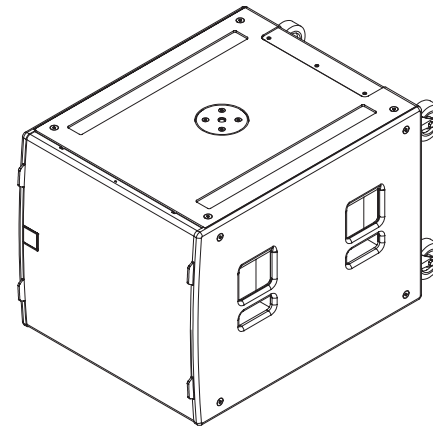
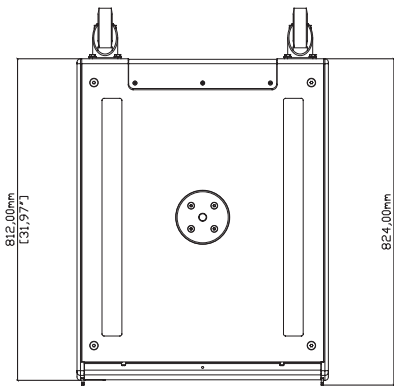


SXC118 – Cardioid Subwoofer Energy Dispersion, at 43Hz. Rear rejection is improved by 21dB with an additional 2dB at the front.



Technical Specifications

TYPE	Compact, cardioid subwoofer
FREQUENCY RESPONSE (1)	43Hz – 150Hz ±3dB, -10dB @ 34Hz
DRIVERS	18" (460mm)/4" (100mm) voice coil, long excursion, ferrite magnet, waterproof cone 14" (356mm)/3.5" (88mm) voice coil, long excursion, neodymium magnet, waterproof cone
RATED POWER (2)	18": 1000W AES, 4000W peak 14": 800W AES, 3200W peak
SYSTEM AMPLIFIER	iKON iK42
SENSITIVITY (10)	104dB
MAXIMUM SPL(9)	140dB peak
NOMINAL IMPEDANCE	18": 8 ohms, 14": 8 ohms
DISPERSION	Cardioid
ENCLOSURE	Multi-laminate birch and poplar ply
FINISH	Textured black paint
PROTECTIVE GRILLE	Black HEX perforated steel
CONNECTOR	2 x NL4
PIN CONNECTIONS (INPUT)	18": +1, -1; 14": +2, -2
PIN CONNECTIONS (LINK)	18": +1, -1; 14": +2, -2
FITTINGS	Two skids on base, with mating channels on top M20 top-mounted thread plate for pole mounting Two bar handles on each side Four fittings for optional transit cover 16 x M8 inserts for optional castors
DIMENSIONS (INCL SKIDS)	(W) 635mm x (H) 603mm x (D) 824mm (952mm incl castors) (W) 25in x (H) 23.7in x (D) 32.4in (37.5in incl castors)
WEIGHT	69kg (152lbs) 73kg (161lbs) incl castors
ACCESSORIES	Transit cover, 16 x M8 inserts for optional castors



SXC118

Optional Castors shown fitted



SX218

Dual-driver, Direct Radiating Subwoofer



The SX218 achieves the ultimate in subwoofer performance for the most demanding applications – delivering very high output levels and superb transient performance with minimal distortion. Please note this product has been updated since January 2019 from an earlier iteration.

With an operating range of 35Hz-150Hz \pm 3dB, it houses dual 18" long-excursion (460mm)/4" (100mm) voice coil drivers with water-resistant cones and triple roll surrounds. Each driver is rated to handle 1000 watts AES, and has a magnet structure and suspension engineered for maximum linear excursion.

The enclosure is constructed from multi-laminate birch ply and finished with a durable polyurea coating. Eight reflex ports provide a large frontal area to reduce turbulent air noise, and a perforated steel grille protects the drivers from damage. SX218 features a M20 pole mount insert for added versatility in deployment.

The product is supplied as standard without cabinet wheels, but they are available as an accessory.

By adding the input board cover accessory, SX218 is fully weather resistant and suitable for permanent outdoor usage.

Features

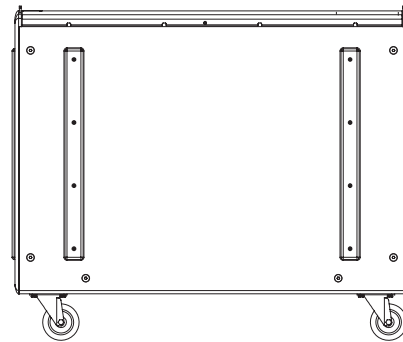
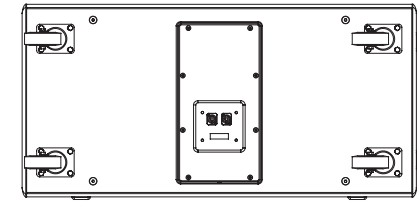
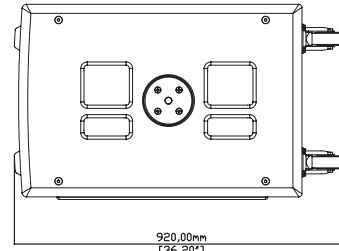
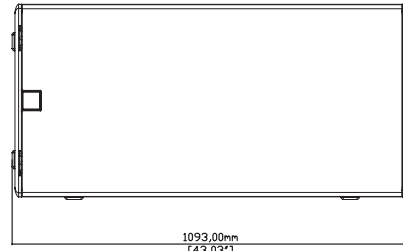
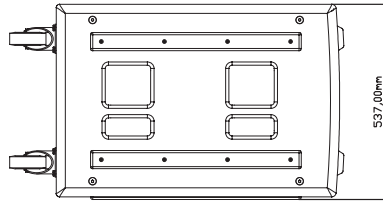
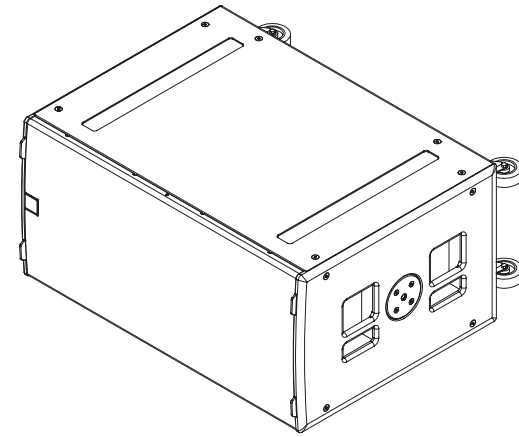
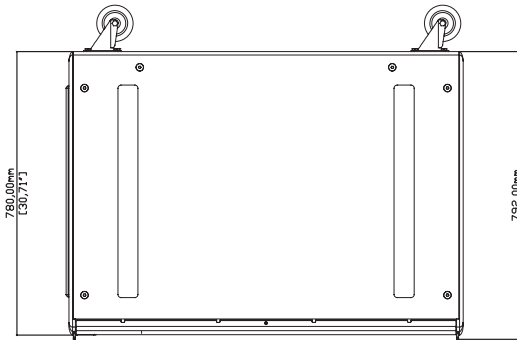
- Dual-driver, direct radiating subwoofer
- 2 x 18" (460mm)/4" (100mm) voice coil, long excursion, ferrite magnet, waterproof cone
- Very high output capability
- Tour-grade plywood enclosure with flying inserts

Applications

- Touring sound reinforcement for small and medium-size venues
- Fixed installations in concert halls, theatres, ballrooms and HoW
- Sports stadium, arena installations & corporate AV events
- Outdoor restaurant, bar and hotel entertainment areas
- Concourses and Theme Parks

Technical Specifications

TYPE	Dual-driver, direct radiating subwoofer
FREQUENCY RESPONSE (1)	35Hz – 150Hz \pm 3dB, -10dB @ 30Hz
DRIVER	2 x 18" (460mm)/4" (100mm) voice coil, long excursion, ferrite magnet, waterproof cone
RATED POWER (2)	2000W AES, 8000W peak
SYSTEM AMPLIFIER	iKON iK42
SENSITIVITY (10)	105dB
MAXIMUM SPL(9)	144dB peak
NOMINAL IMPEDANCE	2 x 8 Ohms
DISPERSION (-6dB)	Omnidirectional/or Cardioid (paired)
ENCLOSURE	Multi-laminate birch/poplar ply
FINISH	Textured black paint
PROTECTIVE GRILLE	Black perforated Zintec
CONNECTORS	2 x NL4
PIN CONNECTIONS (INPUT)	LF1: 1+, 1- LF2: 2+, 2-
PINS CONNECTIONS (LINK)	LF1: 1+, 1- LF2: 2+, 2-
FITTINGS	Two skids on base, with mating channels on top 24 x M10 mounting points 4 x bar handles, 2 on each side 4 x fittings for optional transit cover M20 Pole mount insert 16 x M8 inserts for optional castors
DIMENSIONS (INCL SKIDS)	(W) 1093mm x (H) 537mm x (D) 792mm (920mm including castors) (W) 43in x (H) 21.1in x (D) 31.2in (36.2in including castors)
WEIGHT	Weight 98.5kg (217lbs) w/o castors, 102kg (225lbs) with castors
ACCESSORIES	16 x M8 inserts for optional castors, Input Board Cover, Transit Cover



SX218

Optional Castors shown fitted



SXH218

Hybrid® Horn/Reflex Subwoofer



The SXH218 is an extremely powerful subwoofer capable of producing 148dB peak output at 1m. It is the ideal partner for Wavefront Precision WPC arrays where maximum low frequency output is required as well as a standalone solution for premium permanent installations such as nightclubs.

Its Hybrid® horn/reflex loading combines the acoustic efficiency and impact of bass horn technology with the low frequency extension of a reflex design, enabling it to produce significantly higher output levels than a traditional reflex-loaded subwoofer. With an operating range of 32-150Hz +3dB, it features dual long-excursion 18" (460mm)/4.5" (115mm) voice coil neodymium drivers, with water resistant cones and triple roll surrounds.

The enclosure is constructed from multi-laminate plywood and coated with hard-wearing textured black polyurea. A rigid perforated steel grille protects the front of the enclosure, while interlocking skids protect the top and bottom surfaces and prevent movement when stacked.

The SXH218 can be powered by either a single channel of a Martin Audio iK42 4-channel amplifier, or a bridged pair if maximum output is required. Its connector sockets are wired so that one four-core cable from the amplifier will power two SXH218's. SXH218 settings are determined by a pre-determined parameter set in Vu-Net when used in conjunction with iK42, or settings are available from the Martin Audio website when used with alternative amplifiers.

By adding the input board cover accessory, the subwoofer is fully weather resistant and suitable for permanent outdoor usage.

Features

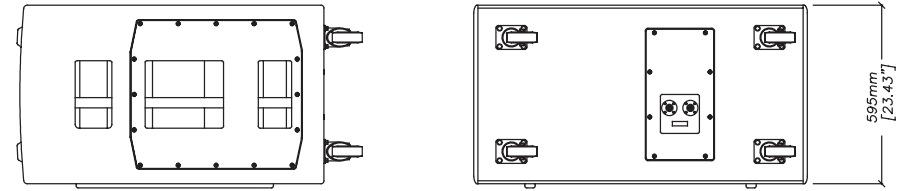
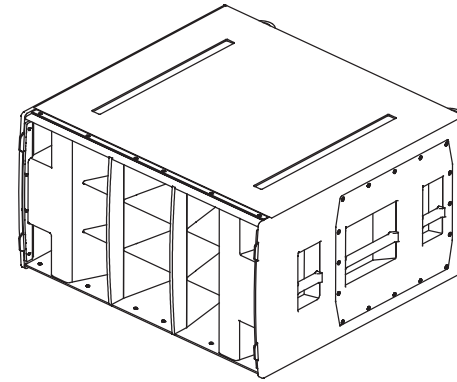
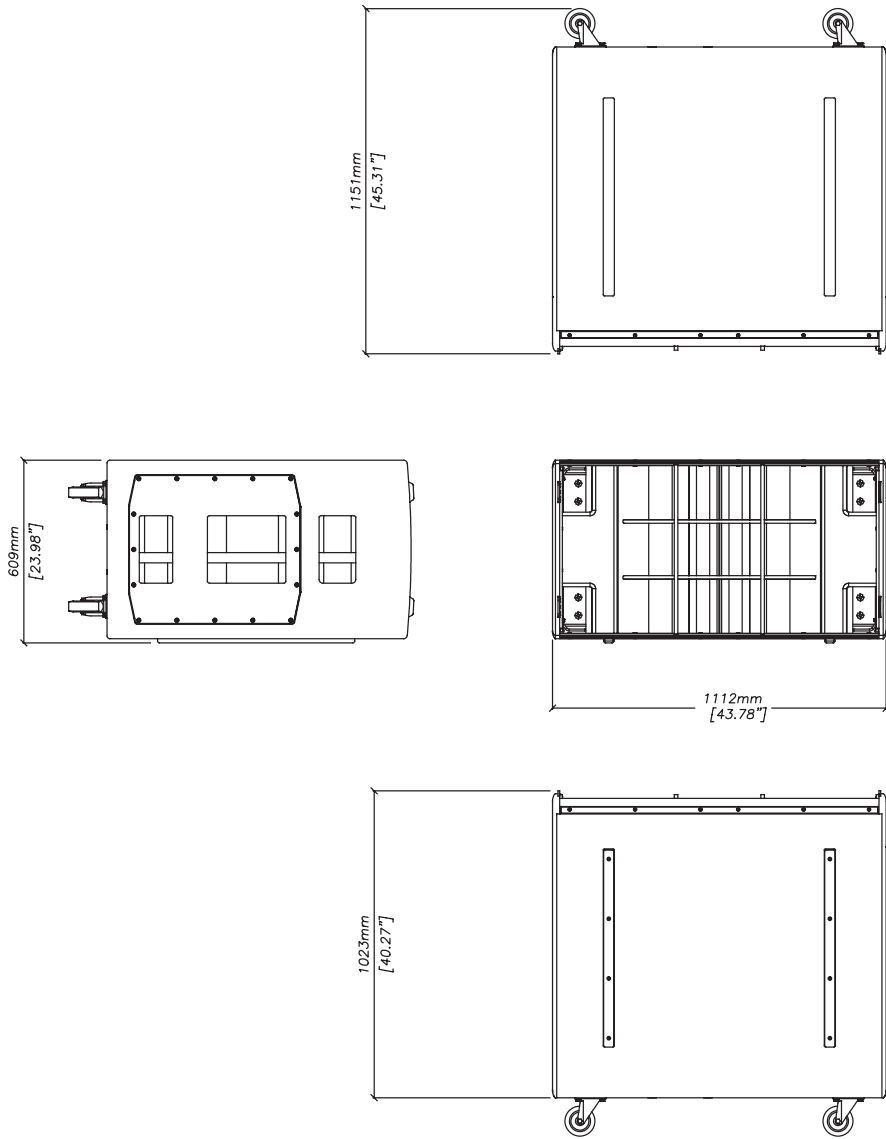
- Ultra-high output ground-stacked subwoofer
- Hybrid® horn/reflex loading for maximum acoustic efficiency and low frequency extension
- Dual long-excursion 18" (460mm)/4.5" (115mm) voice coil neodymium drivers
- Forward or rear-facing operation

Applications

- Outdoor festivals
- Stadiums, arenas and theatres
- Concert halls
- Nightclubs
- Outdoor restaurant, bar and hotel entertainment areas
- Concourses and Theme Parks

Technical Specifications

TYPE	Hybrid® horn/reflex subwoofer
FREQUENCY RESPONSE (1)	32Hz – 150Hz ±3dB, -10dB @ 27Hz
DRIVERS	2 x 18" (460mm)/4.5" (115mm) voice coil, long excursion, neodymium magnet, waterproof cone
RATED POWER (2)	3000W AES, 12000W peak
RECOMMENDED AMPLIFIER	iKON iK42
SENSITIVITY (10)	107dB
MAXIMUM SPL(9)	148dB peak (at 1m half space)
NOMINAL IMPEDANCE	4 Ohms
DISPERSION (-6dB)	Omnidirectional/or Cardioid (paired)
ENCLOSURE	Multi-laminate birch/poplar ply
FINISH	Textured Black Polyurea
PROTECTIVE GRILLE	Black perforated steel
CONNECTORS	2 x NL4
PIN CONNECTIONS	Input: +1/-1, refer to input panel for four-core cable link diagram
FITTINGS	Two skids on base, with mating channels on top Four rear-mounted 100mm (4in) castors 6 x bar handles, 3 on each side 4 x fittings for optional transit cover
DIMENSIONS (INCL SKIDS)	(W) 1112mm x (H) 609mm x (D) 1023mm (1151mm incl. castors) (W) 43.8in x (H) 23.9in x (D) 40.27in (45.31in incl. castors)
WEIGHT	120kg (264lbs), with castors 124kg (273lbs)
ACCESSORIES	Transit cover



SXH218



SXP118

Compact, Direct Radiating Powered Subwoofer



The SXP118 is a compact, high-performance subwoofer that extends the low frequency operating range of a CDD-LIVE full-range system to 40Hz — providing exceptional low frequency impact and increasing headroom. It features a long-excursion 18" (460mm)/4" (100 mm) voice coil driver with a water-resistant cone and triple roll surround in a compact reflex enclosure. The design of the 18" driver maximises output while minimising power compression and distortion, and the four reflex ports have a large frontal area to reduce turbulent air noise at very high levels. With a maximum SPL capability of 135dB peak at 1 metre, the SXP118 is the ideal subwoofer for theatre and portable live sound applications, as well as premium installations that require the maximum output from a compact enclosure.

A self-powered system, the SXP118 incorporates a Class D amplifier, DSP and Dante™ digital audio networking — simplifying set-up, enhancing control and eliminating amplifier racks. The onboard amplifier delivers 2000W peak output to the driver, and its switched-mode power supply auto-ranges to global mains voltages from 100 to 240V 50/60Hz. DSP functions — including parametric EQ, delay, muting, gain and preset selection — can be controlled over Ethernet from a PC or Windows® tablet via intuitive VU-NET™ proprietary software.

Features

- Compact, self-powered subwoofer
- 1 x 18" (460mm) driver with 4" (100mm) voice coil
- Onboard Class D amplification and DSP
- Dante™ Digital Audio networking
- Global mains operation with Power Factor Correction
- Tour-grade plywood enclosure with flying inserts
- IP24 rating option with rain cowl

Applications

- Live sound reinforcement
- Theatre sound
- Corporate AV events
- Fixed installations in concert halls, ballrooms and HoW
- Bars and clubs
- Outdoor restaurant, bar and hotel entertainment areas
- Concourses and Theme Parks

For simple set-ups, 'plug-and-play' presets for operation with the CDD-LIVE 8, 12 or 15 — as well as a user-defined preset — can be selected on the rear panel, instead of using computer control. Additional presets provide the appropriate settings for the rear-facing subwoofer in a cardioid pair.

As an alternative to its analogue inputs, the SXP118 is Dante enabled for digital audio distribution and control over a single CAT5 cable to maintain audio quality however long the cable run.

The enclosure is constructed from multi-laminate plywood with a durable polyurea coating and equipped with a perforated Zintec grille, twin grab handles, skids, M10 flying inserts and a threaded pole socket.

By adding the input board cover accessory, the subwoofer is fully weather resistant and suitable for permanent outdoor usage.

Technical Specifications

Acoustics

TYPE	Compact, direct radiating powered subwoofer
FREQUENCY RESPONSE (3)	47Hz – 150Hz \pm 3dB, -10dB at 41Hz
DRIVER	18" (460mm)/4" (100mm) voice coil, long excursion, ferrite magnet, waterproof cone
INPUT SENSITIVITY	-20dBu for 100dB SPL (CDD12/15 pre-set) -13dBu for 100dB SPL (CDD8 pre-set)
MAXIMUM SPL (4)	132dB continuous / 135dB peak
DISPERSION	Omnidirectional / or Cardioid (paired)
CROSSOVER	Active Presets for CDD Live 8, 12 & 15 mono-pole or cardioid (paired)

Module

Audio input

CONNECTORS	Female XLR input, male XLR link output, Dante Audio Neutrik® Ethercon
ANALOGUE INPUT IMPEDANCE	20 k Ω balanced to ground
MAXIMUM ANALOGUE INPUT LEVEL	24.6 Vpp (+21dBu), over voltage protected

Internal Processing

	Multi-channel DSP, programmable via TCP/IP using VU-Net software
	PEQ/shelving filters
	Up to 48dB/Oct LPF
	Up to 200ms input delay
	Pre-set selection via rear panel switch

Network

CONNECTORS	2xNeutrik® Ethercon
PROTOCOL	TCP/IP and UDP/IP

Amplifier Module

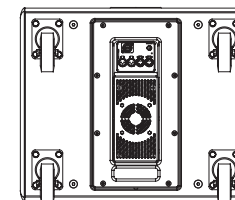
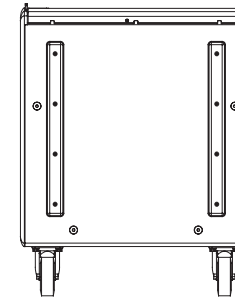
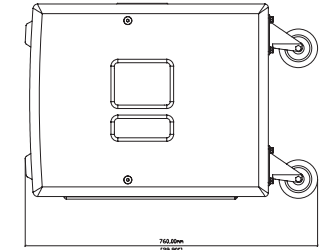
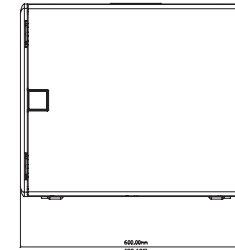
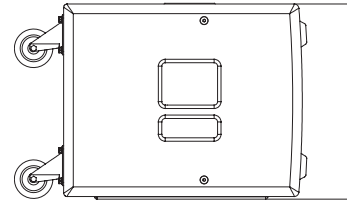
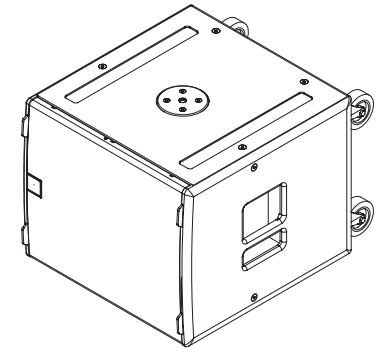
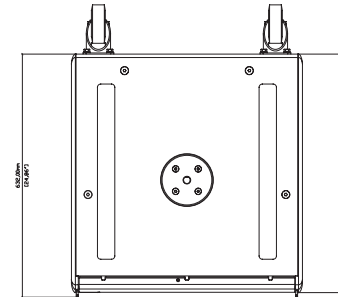
TYPE	2 channel switch-mode, class D, Bridged Tied
PEAK OUTPUT POWER	2000W
CONTINUOUS OUTPUT POWER	1000W
AVERAGE EFFICIENCY	89%
COOLING	External fan
MAXIMUM AMBIENT TEMPERATURE	40°C (104°F) for full output

Power Supply

TYPE	Switch mode, fixed frequency with PFC
AC INPUT OPERATING RANGE	85 – 265V ~ AC, 50 - 60Hz
POWER FACTOR	> 0.98
NOMINAL POWER CONSUMPTION	550W
MAINS CONNECTOR	Neutrik® Powercon True1

Mechanical

ENCLOSURE	Extensively braced multi-laminate birch plywood.
FINISH	Textured black PU coating.
PROTECTIVE GRILLE	Black perforated Zintec.
FITTINGS	Two skids on base, with mating channels on top Four rear-mounted 100mm (4in) castors M20 top-mounted thread plate for pole mounting 16 x M10 mounting points 2x Bar handles, 1 on each side 4x fittings for optional transit cover 16 x M8 inserts for optional castors
IP RATING	IP24 factory option available
DIMENSIONS	(W) 600mm x (H) 507mm x (D) 632mm (760mm including castors) (W) 23.62in x (H) 20in x (D) 24.86in (29.90in including castors)
WEIGHT	46.5kg(103lbs) w/o castors, 50kg (110lbs) with castors
ACCESSORIES	16 x M8 inserts for optional castors, Input Board Cover, Transit Cover



SXP118

Optional Castors shown fitted

SX
SERIES

SXP218

Dual-Driver, Direct Radiating Powered Subwoofer



The SXP218 achieves the ultimate in subwoofer performance for the most demanding professional applications – delivering very high output levels and superb transient performance with minimal distortion. With an operating range of 35Hz-150Hz \pm 3dB, it houses dual 18" long-excursion (460mm)/4" (100mm) voice coil drivers with water-resistant cones and triple roll surrounds. The design of the 18" drivers maximises output while minimising power compression and distortion, and the eight reflex ports have a large frontal area to reduce turbulent air noise at very high levels. With a prodigious maximum SPL capability of 143dB peak at 1 metre, the SXP218 is the ideal subwoofer for touring sound reinforcement, theatre and portable live sound applications — as well as premium installations — that require low frequency augmentation with low distortion at very high output levels.

A self-powered system, the SXP218 incorporates a Class D amplifier, DSP and Dante™ digital audio networking — simplifying set-up, enhancing control and eliminating amplifier racks. The onboard amplifier delivers a total of 4000W peak output to the drivers, and its switched-mode power supply auto-ranges to global mains voltages from 100 to 240V 50/60Hz. DSP functions — including parametric EQ, delay, muting, gain and preset selection — can be controlled over Ethernet from a PC or Windows® tablet via intuitive VU-NET™ proprietary software.

Features

- Dual-driver, self-powered subwoofer
- 2 x 18" (460mm) drivers with 4" (100mm) voice coils
- Very high output capability
- Onboard Class D amplification and DSP
- Dante™ Digital Audio networking
- Global mains operation with Power Factor Correction
- Tour-grade plywood enclosure with flying inserts
- IP24 rating option with rain cowl

Applications

- Live sound reinforcement
- Theatre sound
- Corporate AV events
- Fixed installations in concert halls, ballrooms and HoW
- Bars and clubs
- Outdoor restaurant, bar and hotel entertainment areas
- Concourses and Theme Parks

For simple set-ups, 'plug-and-play' presets for operation with the CDD-LIVE 8, 12 or 15 — as well as a user-defined preset — can be selected on the rear panel, instead of using computer control. Additional presets provide the appropriate settings for the rear-facing subwoofer in a cardioid pair.

As an alternative to its analogue inputs, the SXP218 is Dante enabled for digital audio distribution and control over a single CAT5 cable to maintain audio quality however long the cable run.

The enclosure is constructed from multi-laminate plywood with a durable polyurea coating and equipped with a perforated Zintec grille, four grab handles, skids and M10 flying inserts. SXP218 also features an M20 pole mount insert for added versatility in deployment. The product is supplied as standard without cabinet wheels, but they are available as an accessory.

By adding the input board cover accessory, the subwoofer is fully weather resistant and suitable for permanent outdoor usage.

Technical Specifications

Acoustics

TYPE	Dual-driver, direct radiating powered subwoofer
FREQUENCY RESPONSE(3)	35Hz – 150Hz ±3dB, -10dB @ 30Hz
DRIVER	2x 18" (460mm)/4" (100mm) voice coil, long excursion, ferrite magnet, waterproof cone
INPUT SENSITIVITY	-20dBu for 100dB SPL (CDD12/15 pre-set) -13dBu for 100dB SPL (CDD8 pre-set)
MAXIMUM SPL (4)	140dB continuous / 143dB peak
DISPERSION	Omnidirectional / or Cardioid (paired)
CROSSOVER	Active
	Presets for CDD Live 8, 12 & 15 mono-pole or cardioid (paired)

Module

Audio input

CONNECTORS	Female XLR input, male XLR link output, Dante Audio Neutrik® Ethercon
ANALOGUE INPUT IMPEDANCE	20 kΩ balanced to ground
MAXIMUM ANALOGUE INPUT LEVEL	24.6 Vpp (+21dBu), over voltage protected

Internal Processing

	Multi-channel DSP, programmable via TCP/IP using VU-Net software
	PEQ/shelving filters
	Up to 48dB/Oct LPF
	Up to 200mS input delay
	Pre-set selection via rear panel switch

Network

CONNECTORS	2xNeutrik® EtherconRJ45
PROTOCOL	TCP/IP and UDP/IP

Amplifier Module

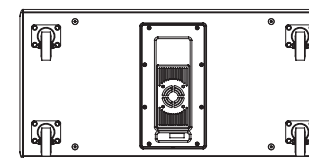
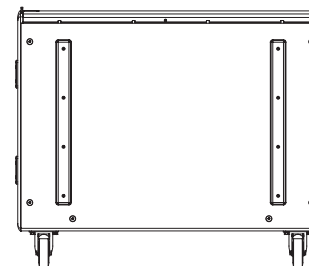
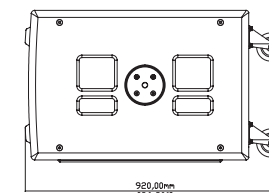
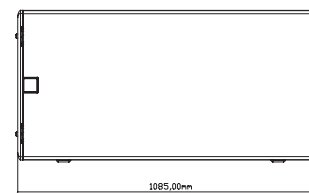
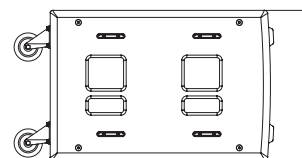
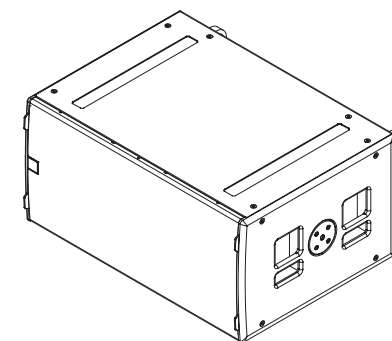
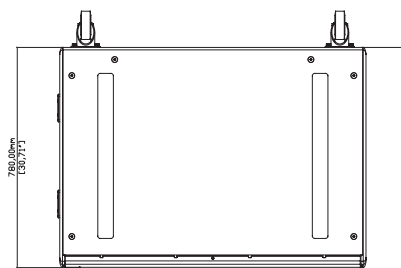
TYPE	Two 2 channel switch-mode, class D, Bridged Tied Load
PEAK OUTPUT POWER	4000W
CONTINUOUS OUTPUT POWER	2000W
AVERAGE EFFICIENCY	89%
COOLING	External fan
MAXIMUM AMBIENT TEMPERATURE	40°C (104°F) for full output

Power Supply

TYPE	Switch mode, fixed frequency with PFC
AC INPUT OPERATING RANGE	85 – 265V ~ AC, 50 - 60Hz
POWER FACTOR	> 0.98
NOMINAL POWER CONSUMPTION	550W
MAINS CONNECTOR	Neutrik® Powercon True1

Mechanical

ENCLOSURE	Extensively braced multi-laminate birch plywood
FINISH	Textured black PU coating
PROTECTIVE GRILLE	Black perforated Zintec
FITTINGS	Two skids on base, with mating channels on top Four rear-mounted 100mm (4in) castors 24 x M10 mounting points 4x Bar handles, 2 on each side 4x fittings for optional transit cover M20 Pole mount insert 16 x M8 inserts for optional castors
IP RATING	IP24 factory option available
DIMENSIONS	(W) 1085mm x (H) 537mm x (D) 792mm (920mm including castors) (W) 42.72in x (H) 21.13in x (D) 31.16in (36.20in including castors)
WEIGHT	101.5Kg (224lbs) w/o castors 105kg (231lbs) with castors
ACCESSORIES	16 x M8 inserts for optional castors, Input Board Cover, Transit Cover



SXP218

Optional Castors shown fitted

Notes

- (1) Measured on-axis in half (2pi) space at 2 metres, then referred to 1 metre.
- (2) AES Standard ANSI S4.26-1984.
- (3) Measured in half (2pi) space at 2 metres with 1 watt input, using band limited pink noise, then referred to 1 metre.
- (4) Measured in half (2pi) space at 2 metres using band limited pink noise, then referred to 1 metre.
- (5) Measured on-axis in open (4pi) space at 2 metres, then referred to 1 metre.
- (6) Measured in open (4pi) space at 2 metres with 1 watt input, using band limited pink noise, then referred to 1 metre.
- (7) Measured in open (4pi) space at 2 metres using band limited pink noise, then referred to 1 metre.
- (8) Measured in open (4pi) space at 2 metres with 2.83V input, using band limited pink noise, then referred to 1 metre.
- (9) Calculated at 1 metre.
- (10) Measured in half (2pi) space at 2 metres with 2.83V input, using band limited pink noise, then referred to 1 metre.

Trade Descriptions Act

Due to Martin Audio's policy of continuing improvement, we reserve the right to alter these specifications without prior notice. Martin Audio is committed to refining state of the art sound reinforcement, combining in-depth product and field applications research with advanced manufacturing techniques. Every Martin Audio product is built to the highest manufacturing standards and rigorously tested to ensure that it meets the performance criteria specified in the design.

SX SERIES

SUBWOOFERS

Martin Audio Limited

Century Point

Halifax Road

Cressex Business Park

High Wycombe

Buckinghamshire

HP12 3SL

England

FOR SALES ENQUIRIES:

UK

Telephone: +44 (0)1494 535312

E-mail: info@martin-audio.com

NORTH AMERICA

Telephone: 818 649 7776

www.martin-audio.com

All information is Copyright © 2019 Martin Audio Ltd.

Martin Audio, the Martin Audio logo and Hybrid are registered trademarks of Martin Audio Ltd. in the United Kingdom, United States and other countries; all other Martin Audio trademarks are the property of Martin Audio Ltd.



Unite Your Audience
The Martin Audio Experience

Version 2.5