



Evolution Wireless Digital



Embrace the power of a digital UHF system, ready for any RF environment. Evolution Wireless Digital raises the bar by providing the highest dynamic range of any wireless system currently on the market, utilizing advanced features that simplify your setup and guarantee the most reliable connection. Maximize efficiency by taking full control with the Sennheiser Smart Assist app and automatically coordinate frequencies with ease. Increased bandwidth and the lowest latency of any digital wireless system currently available make Evolution Wireless Digital the most powerful tool for those who put quality and performance above all else.

FEATURES

- Digital transmission operating in the UHF spectrum greatly enhances range, reliability and scalability
- Smart Assist App connects via Bluetooth Low Energy for a streamlined setup and operation at a distance
- Auto scan creates reliable connections with minimal time and effort
- 134 dB audio input dynamic range eliminates need for sensitivity adjustments and preserves every detail
- Elimination of intermodulation enables channels to be placed in an equidistant tuning grid 600 kHz apart
- Up to 56 MHz of tuning bandwidth and equidistant spacing enables up to 90 channels
- Up to 2,240 selectable frequencies
- Transmission range: up to 100 m in an ideal environment (without obstacles)
- Lithium-Ion battery pack (sold separately) delivers up to 12 hours of operation (up to 8 hours of operation with 2x provided AA batteries)

For more information on the Evolution Wireless Digital series please refer to the Evolution Wireless Digital product page at:

www.sennheiser.com/ew-d

SYSTEM COMPONENTS

- EW-D EM rack receiver
- EW-D SKM-S handheld transmitter
- EW-D SK bodypack transmitter

AVAILABLE SETS

EW-D ME2 SET | Lavalier Set

- includes: EW-D EM / EW-D SK / ME 2 microphone

EW-D ME3 SET | Headmic Set

- includes: EW-D EM / EW-D SK / ME 3 microphone

EW-D ME4 SET | Lavalier Set

- includes: EW-D EM / EW-D SK / ME 4 microphone

EW-D CI1 SET | Instrument Set

- includes: EW-D EM / EW-D SK / CI 1 cable

EW-D SK BASE SET | Base Set

- includes: EW-D EM / EW-D SK

EW-D 835-S SET | Handheld Set

- includes: EW-D EM / EW-D SKM-S / MMD 835 microphone module

EW-D SKM-S BASE SET | Base Set

- includes: EW-D EM / EW-D SKM-S

EW-D ME2/835-S SET | Combo Set

- includes: EW-D EM / EW-D SK / ME 2 microphone / EW-D SKM-S / MMD 835 microphone module



Evolution Wireless Digital

MICROPHONE COMPATIBILITY

Microphone modules compatible with the EW-D SKM-S handheld transmitter

MMD 835-1	Dynamic microphone module with cardioid polar pattern
MMD 845-1	Dynamic microphone module with supercardioid polar pattern
MME 865-1	Pre-polarized condenser microphone module with supercardioid polar pattern
MMD 935-1	Dynamic microphone module with cardioid polar pattern
MMD 945-1	Dynamic microphone module with supercardioid polar pattern
MMK 965-1	Condenser microphone module with switchable cardioid and supercardioid polar pattern
MMD 42-1	Dynamic microphone module with omni-directional polar pattern
Neumann KK 204	Condenser microphone module with cardioid polar pattern
Neumann KK 205	Condenser microphone module with supercardioid polar pattern
MM 435	Dynamic microphone module with cardioid polar pattern
MM 445	Dynamic microphone module with supercardioid polar pattern
ME 9002	Pre-polarized condenser microphone module with omni-directional polar pattern
ME 9004	Pre-polarized condenser microphone module with cardioid polar pattern
ME 9005	Pre-polarized condenser microphone module with supercardioid polar pattern

Lavalier and headset microphones compatible with the EW-D SK bodypack transmitter

ME 2	Omni-directional lavalier microphone Models produced from 2021 onward, featuring a gold-plated connector*
ME 4	Cardioid lavalier microphone Models produced from 2021 onward, featuring a gold-plated connector*
MKE Essential Omni	Omni-directional lavalier microphone
MKE 2 Gold	Omni-directional lavalier microphone Models produced from 2018 onward, featuring a blue serial number plate
MKE 1	Omni-directional lavalier microphone
ME 3	Cardioid headset microphone Models produced from 2021 onward, featuring a gold-plated connector*
HSP Essential Omni	Omni-directional headset microphone
HSP 2	Omni-directional headset microphone Models produced from March 2020 onward (featuring code 1090 or later)
HS 2	Omni-directional headset microphone Models produced from 2021 onward, featuring a gold-plated connector*
SL Headmic 1	Omni-directional headset microphone

* Models produced prior to 2021 will feature a nickel connector. Earlier models may pick up noise when placed close to the transmitter and are not recommended for use



Evolution Wireless Digital

SPECIFICATIONS

System

Audio link frequency ranges	Q1-6 470.2 – 526 MHz R1-6 520 – 576 MHz R4-9 552 – 607.8 MHz S1-7 606.2 – 662 MHz S4-7 630 – 662 MHz S7-10 662 – 693.8 MHz U1/5 823.2 – 831.8 MHz & 863.2 – 864.8 MHz V3-4 925.2 – 937.3 MHz Y1-3 1785.2 – 1799.8 MHz
Bluetooth® Low Energy (BLE) frequency range	2402 – 2480 MHz
Audio frequency response	20 Hz – 20 kHz (-3 dB) @ 3 dBfs
Audio THD	≤ -60 dB for 1 kHz @ -3 dBfs input level
Dynamic range	134 dB
Operating temperature	-10 °C – +55 °C (14 °F – 131 °F)
Relative humidity	5 – 95 % (non-condensing)

EW-D EM (Rack Receiver)

Input voltage	11 – 13 V $\overline{=}$
Input current	≤ 300 mA
Transmit power (radiated)	BLE: max. 10 mW EIRP
Audio output power	18 dBu max.
Dimensions	212 x 44 x 189 mm (8.35" x 1.73" x 7.44")
Weight (without antennas and power supply)	approx. 1000 g (2.2 lbs)

EW-D SKM-S (Handheld Transmitter)

Input voltage	2.0 – 4.35 V
Input current	< 300 mA
Power supply	2 AA batteries 1.5 V (alkali manganese) or BA 70 rechargeable battery pack
Occupied bandwidth	200 kHz
Transmit power (radiated)	Audio link: 10 mW ERP (Range Y1-3: 12 mW ERP) BLE: max. 10 mW EIRP
Dimensions (ø x l) (incl. MMD 835 microphone module)	50 x 268 mm (1.97" x 10.55")
(without microphone module)	40 x 200 mm (1.57" x 7.87")
Weight (without batteries) (incl. MMD 835 microphone module)	approx. 304 g (0.67 lbs)
(without microphone module)	approx. 195 g (7.14 lbs)

EW-D SK (Bodypack Transmitter)

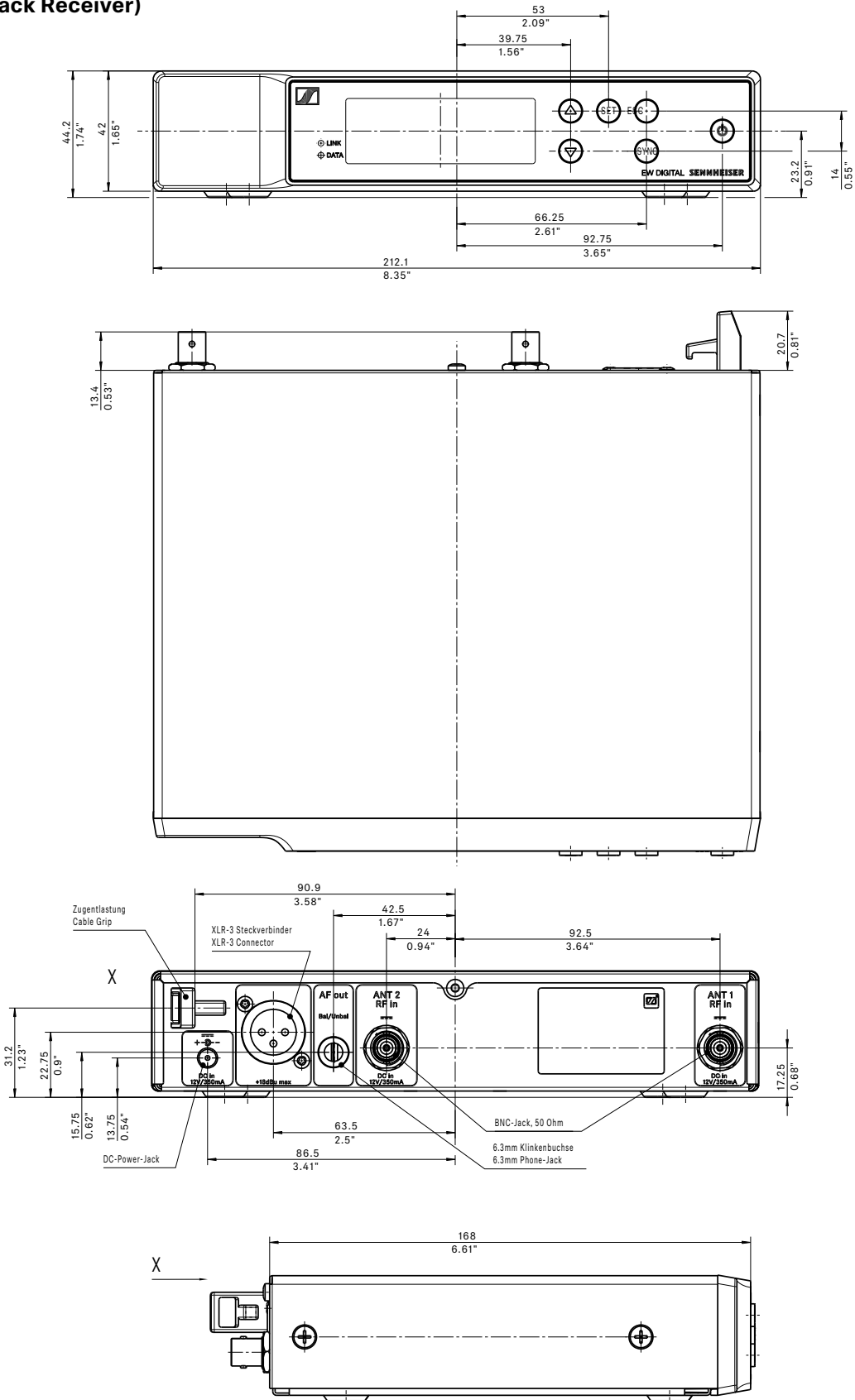
Input voltage	2.0 – 4.35 V
Input current	< 300 mA
Power supply	2 AA batteries 1.5 V (alkali manganese) or BA 70 rechargeable battery pack
Occupied bandwidth	200 kHz
Transmit power (radiated)	Audio link: 10 mW ERP (Range Y1-3: 12 mW ERP) BLE: max. 10 mW EIRP
Dimensions (without antenna)	63 x 80 x 20 mm (2.48" x 3.15" x 0.79")
Weight (without batteries)	approx. 120 g (0.26 lbs)



Evolution Wireless Digital

DIMENSIONS

EW-D EM (Rack Receiver)

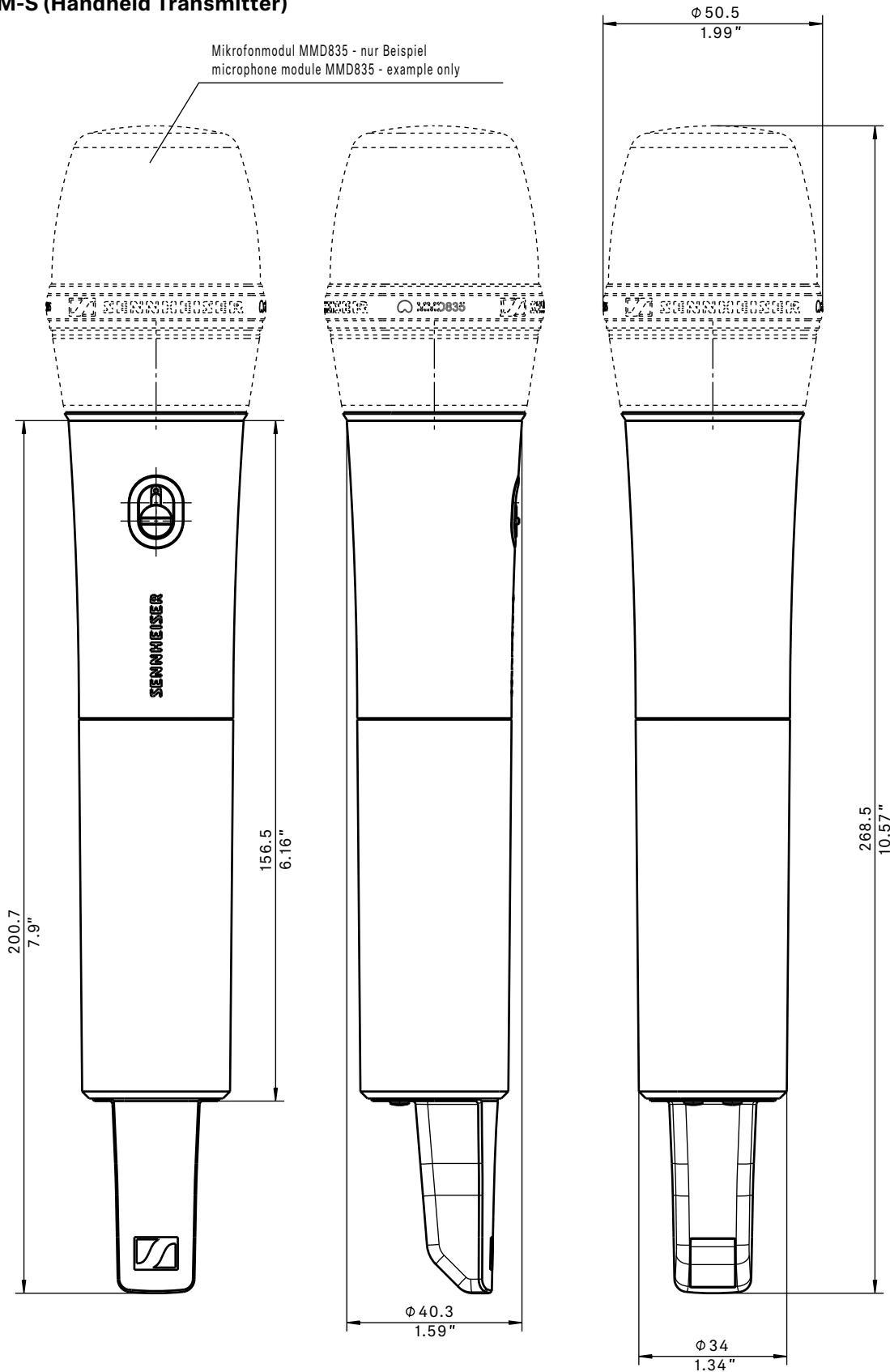




Evolution Wireless Digital

DIMENSIONS

EW-D SKM-S (Handheld Transmitter)



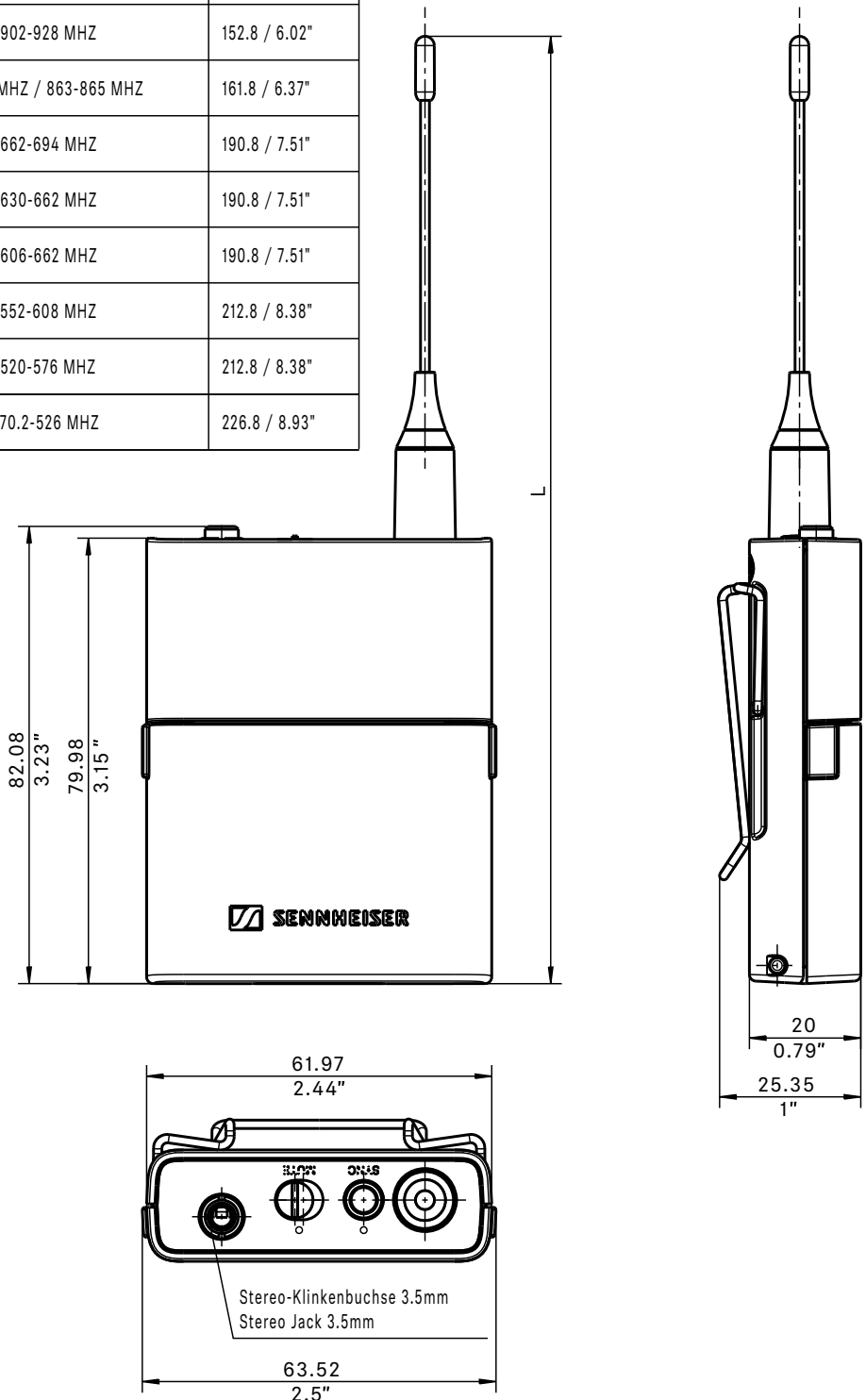


Evolution Wireless Digital

DIMENSIONS

EW-D SK (Bodypack Transmitter)

Frequenzbereich Frequency range	L
1785-1805 MHz	198.8 / 7.83"
925-937.5 MHz	152.8 / 6.02"
902-928 MHz	152.8 / 6.02"
823-832 MHz / 863-865 MHz	161.8 / 6.37"
662-694 MHz	190.8 / 7.51"
630-662 MHz	190.8 / 7.51"
606-662 MHz	190.8 / 7.51"
552-608 MHz	212.8 / 8.38"
520-576 MHz	212.8 / 8.38"
470.2-526 MHz	226.8 / 8.93"





Evolution Wireless Digital

PRODUCT VARIANTS

EW-D EM (Q1-6)	470.2 - 526 MHz	Art. no. 508800
EW-D EM (R1-6)	520 - 576 MHz	Art. no. 508801
EW-D EM (R4-9)	552 - 607.8 MHz	Art. no. 508802
EW-D EM (S1-7)	606.2 - 662 MHz	Art. no. 508803
EW-D EM (S4-7)	630 - 662 MHz	Art. no. 508804
EW-D EM (S7-10)	662 - 693.8 MHz	Art. no. 508805
EW-D EM (U1/5)	823.2 - 831.8 MHz & 863.2 - 864.8 MHz	Art. no. 508806
EW-D EM (V3-4)	925.2 - 937.3 MHz	Art. no. 508808
EW-D EM (Y1-3)	1785.2 - 1799.8 MHz	Art. no. 508809
EW-D SKM-S (Q1-6)	470.2 - 526 MHz	Art. no. 508790
EW-D SKM-S (R1-6)	520 - 576 MHz	Art. no. 508791
EW-D SKM-S (R4-9)	552 - 607.8 MHz	Art. no. 508792
EW-D SKM-S (S1-7)	606.2 - 662 MHz	Art. no. 508793
EW-D SKM-S (S4-7)	630 - 662 MHz	Art. no. 508794
EW-D SKM-S (S7-10)	662 - 693.8 MHz	Art. no. 508795
EW-D SKM-S (U1/5)	823.2 - 831.8 MHz & 863.2 - 864.8 MHz	Art. no. 508796
EW-D SKM-S (V3-4)	925.2 - 937.3 MHz	Art. no. 508798
EW-D SKM-S (Y1-3)	1785.2 - 1799.8 MHz	Art. no. 508799
EW-D SK (Q1-6)	470.2 - 526 MHz	Art. no. 508780
EW-D SK (R1-6)	520 - 576 MHz	Art. no. 508781
EW-D SK (R4-9)	552 - 607.8 MHz	Art. no. 508782
EW-D SK (S1-7)	606.2 - 662 MHz	Art. no. 508783
EW-D SK (S4-7)	630 - 662 MHz	Art. no. 508784
EW-D SK (S7-10)	662 - 693.8 MHz	Art. no. 508785
EW-D SK (U1/5)	823.2 - 831.8 MHz & 863.2 - 864.8 MHz	Art. no. 508786
EW-D SK (V3-4)	925.2 - 937.3 MHz	Art. no. 508788
EW-D SK (Y1-3)	1785.2 - 1799.8 MHz	Art. no. 508789
EW-D ME2 SET (Q1-6)	470.2 - 526 MHz	Art. no. 508700
EW-D ME2 SET (R1-6)	520 - 576 MHz	Art. no. 508701
EW-D ME2 SET (R4-9)	552 - 607.8 MHz	Art. no. 508702
EW-D ME2 SET (S1-7)	606.2 - 662 MHz	Art. no. 508703
EW-D ME2 SET (S4-7)	630 - 662 MHz	Art. no. 508704
EW-D ME2 SET (S7-10)	662 - 693.8 MHz	Art. no. 508705
EW-D ME2 SET (U1/5)	823.2 - 831.8 MHz & 863.2 - 864.8 MHz	Art. no. 508706
EW-D ME2 SET (V3-4)	925.2 - 937.3 MHz	Art. no. 508708
EW-D ME2 SET (Y1-3)	1785.2 - 1799.8 MHz	Art. no. 508709



Evolution Wireless Digital

EW-D ME3 SET (Q1-6)	470.2 - 526 MHz	Art. no. 508710
EW-D ME3 SET (R1-6)	520 - 576 MHz	Art. no. 508711
EW-D ME3 SET (R4-9)	552 - 607.8 MHz	Art. no. 508712
EW-D ME3 SET (S1-7)	606.2 - 662 MHz	Art. no. 508713
EW-D ME3 SET (S4-7)	630 - 662 MHz	Art. no. 508714
EW-D ME3 SET (S7-10)	662 - 693.8 MHz	Art. no. 508715
EW-D ME3 SET (U1/5)	823.2 - 831.8 MHz & 863.2 - 864.8 MHz	Art. no. 508716
EW-D ME3 SET (V3-4)	925.2 - 937.3 MHz	Art. no. 508718
EW-D ME3 SET (Y1-3)	1785.2 - 1799.8 MHz	Art. no. 508719
EW-D ME4 SET (Q1-6)	470.2 - 526 MHz	Art. no. 508720
EW-D ME4 SET (R1-6)	520 - 576 MHz	Art. no. 508721
EW-D ME4 SET (R4-9)	552 - 607.8 MHz	Art. no. 508722
EW-D ME4 SET (S1-7)	606.2 - 662 MHz	Art. no. 508723
EW-D ME4 SET (S4-7)	630 - 662 MHz	Art. no. 508724
EW-D ME4 SET (S7-10)	662 - 693.8 MHz	Art. no. 508725
EW-D ME4 SET (U1/5)	823.2 - 831.8 MHz & 863.2 - 864.8 MHz	Art. no. 508726
EW-D ME4 SET (V3-4)	925.2 - 937.3 MHz	Art. no. 508728
EW-D ME4 SET (Y1-3)	1785.2 - 1799.8 MHz	Art. no. 508729
EW-D CI1 SET (Q1-6)	470.2 - 526 MHz	Art. no. 508730
EW-D CI1 SET (R1-6)	520 - 576 MHz	Art. no. 508731
EW-D CI1 SET (R4-9)	552 - 607.8 MHz	Art. no. 508732
EW-D CI1 SET (S1-7)	606.2 - 662 MHz	Art. no. 508733
EW-D CI1 SET (S4-7)	630 - 662 MHz	Art. no. 508734
EW-D CI1 SET (S7-10)	662 - 693.8 MHz	Art. no. 508735
EW-D CI1 SET (U1/5)	823.2 - 831.8 MHz & 863.2 - 864.8 MHz	Art. no. 508736
EW-D CI1 SET (V3-4)	925.2 - 937.3 MHz	Art. no. 508738
EW-D CI1 SET (Y1-3)	1785.2 - 1799.8 MHz	Art. no. 508739
EW-D SK BASE SET (Q1-6)	470.2 - 526 MHz	Art. no. 508740
EW-D SK BASE SET (R1-6)	520 - 576 MHz	Art. no. 508741
EW-D SK BASE SET (R4-9)	552 - 607.8 MHz	Art. no. 508742
EW-D SK BASE SET (S1-7)	606.2 - 662 MHz	Art. no. 508743
EW-D SK BASE SET (S4-7)	630 - 662 MHz	Art. no. 508744
EW-D SK BASE SET (S7-10)	662 - 693.8 MHz	Art. no. 508745
EW-D SK BASE SET (U1/5)	823.2 - 831.8 MHz & 863.2 - 864.8 MHz	Art. no. 508746
EW-D SK BASE SET (V3-4)	925.2 - 937.3 MHz	Art. no. 508748
EW-D SK BASE SET (Y1-3)	1785.2 - 1799.8 MHz	Art. no. 508749



Evolution Wireless Digital

EW-D 835-S SET (Q1-6)	470.2 - 526 MHz	Art. no. 508750
EW-D 835-S SET (R1-6)	520 - 576 MHz	Art. no. 508751
EW-D 835-S SET (R4-9)	552 - 607.8 MHz	Art. no. 508752
EW-D 835-S SET (S1-7)	606.2 - 662 MHz	Art. no. 508753
EW-D 835-S SET (S4-7)	630 - 662 MHz	Art. no. 508754
EW-D 835-S SET (S7-10)	662 - 693.8 MHz	Art. no. 508755
EW-D 835-S SET (U1/5)	823.2 - 831.8 MHz & 863.2 - 864.8 MHz	Art. no. 508756
EW-D 835-S SET (V3-4)	925.2 - 937.3 MHz	Art. no. 508758
EW-D 835-S SET (Y1-3)	1785.2 - 1799.8 MHz	Art. no. 508759
EW-D SKM-S BASE SET (Q1-6)	470.2 - 526 MHz	Art. no. 508760
EW-D SKM-S BASE SET (R1-6)	520 - 576 MHz	Art. no. 508761
EW-D SKM-S BASE SET (R4-9)	552 - 607.8 MHz	Art. no. 508762
EW-D SKM-S BASE SET (S1-7)	606.2 - 662 MHz	Art. no. 508763
EW-D SKM-S BASE SET (S4-7)	630 - 662 MHz	Art. no. 508764
EW-D SKM-S BASE SET (S7-10)	662 - 693.8 MHz	Art. no. 508765
EW-D SKM-S BASE SET (U1/5)	823.2 - 831.8 MHz & 863.2 - 864.8 MHz	Art. no. 508766
EW-D SKM-S BASE SET (V3-4)	925.2 - 937.3 MHz	Art. no. 508768
EW-D SKM-S BASE SET (Y1-3)	1785.2 - 1799.8 MHz	Art. no. 508769
EW-D ME2/835-S SET (Q1-6)	470.2 - 526 MHz	Art. no. 508770
EW-D ME2/835-S SET (R1-6)	520 - 576 MHz	Art. no. 508771
EW-D ME2/835-S SET (R4-9)	552 - 607.8 MHz	Art. no. 508772
EW-D ME2/835-S SET (S1-7)	606.2 - 662 MHz	Art. no. 508773
EW-D ME2/835-S SET (S4-7)	630 - 662 MHz	Art. no. 508774
EW-D ME2/835-S SET (S7-10)	662 - 693.8 MHz	Art. no. 508775
EW-D ME2/835-S SET (U1/5)	823.2 - 831.8 MHz & 863.2 - 864.8 MHz	Art. no. 508776
EW-D ME2/835-S SET (V3-4)	925.2 - 937.3 MHz	Art. no. 508778
EW-D ME2/835-S SET (Y1-3)	1785.2 - 1799.8 MHz	Art. no. 508779



Evolution Wireless Digital

ACCESSORIES

EW-D ASA (Q-R-S)	Active Antenna Splitter	470 - 694 MHz	Art. no. 508879
EW-D ASA (T-U-V-W)	Active Antenna Splitter	694 - 1075 MHz	Art. no. 508880
EW-D ASA (X-Y)	Active Antenna Splitter	1350 - 1805 MHz	Art. no. 508881
EW-D ASA CN/ANZ (Q-R-S)	Active Antenna Splitter	470 - 694 MHz	Art. no. 508998
EW-D AB (Q)	Antenna Booster	470 - 550 MHz	Art. no. 508873
EW-D AB (R)	Antenna Booster	520 - 608 MHz	Art. no. 508874
EW-D AB (S)	Antenna Booster	606 - 694 MHz	Art. no. 508875
EW-D AB (U)	Antenna Booster	823 - 865 MHz	Art. no. 508876
EW-D AB (V)	Antenna Booster	902 - 960 MHz	Art. no. 508877
EW-D AB (Y)	Antenna Booster	1785 - 1805 MHz	Art. no. 508878
ADP UHF (470 - 1075 MHz)	Passive directional antenna	470 - 1075 MHz	Art. no. 508863
AD 1800	Passive directional antenna	1400 - 2400 MHz	Art. no. 504916
BA 70	Rechargeable battery pack for SK and SKM		Art. no. 508860
L 70 USB	Charger for BA 70 rechargeable battery pack		Art. no. 508861
EW-D CHARGING SET	Set of L 70 USB charger and 2 BA 70 rechargeable battery packs		Art. no. 508862
EW-D COLOR CODING SET	Colored labels for wireless link identification for EM, SKM-S, SK		Art. no. 508989
EW-D SK COLOR CODING	Colored labels for wireless link identification for SK		Art. no. 508990
EW-D SKM COLOR CODING	Colored labels for wireless link identification for SKM-S		Art. no. 508991
EW-D EM COLOR CODING	Colored labels for wireless link identification for EM		Art. no. 508992



Evolution Wireless Digital

ARCHITECT'S SPECIFICATION

EW-D EM rack receiver

The stationary receiver with switching diversity technology shall be for use with a companion transmitter as part of a digital wireless RF transmission system.

The receiver shall operate within ten UHF frequency ranges, with a switching bandwidth of up to 56 MHz: 470.2 – 526 MHz, 520 – 576 MHz, 552 – 607.8 MHz, 606.2 – 662 MHz, 630 – 662 MHz, 662 – 693.8 MHz, 823.2 – 831.8 MHz, 863.2 – 846.8 MHz, 925.2 – 937.3 MHz, 1785.2 – 1799.8 MHz; selectable frequencies shall be up to 2,240.

The receiver shall feature Bluetooth® Low Energy (BLE) at a frequency range between 2402 and 2480 MHz for remote controlling the devices via a control App for iOS and Android.

The audio frequency response shall be between 20 Hz and 20 kHz (-3 dB) @ 3 dBfs. Audio total harmonic distortion (THD) shall be ≤ -60 dB for 1 kHz @ -3 dBfs input level. Dynamic range shall be 134 dB.

The receiver shall be menu-driven with a backlit LC display showing the current frequency, channel number, metering of RF level, metering of AF level, lock status, muting function, mute lock status, antenna switching diversity, app connection, gain, audio output level, menu and battery status of the associated transmitter. An auto-lock feature shall be provided to prevent settings from being accidentally altered.

The receiver shall feature a balanced XLR-3M audio output with a maximum output of +18 dBu along with an unbalanced ¼" (6.3 mm) audio output with a maximum output of +12 dBu. Two BNC-type input sockets shall be provided for connecting the antennas.

The receiver shall operate on 12 V power supplied from the power supply unit or from a Sennheiser EW-D ASA antenna splitter. Power consumption shall be ≤ 300 mA. The receiver shall have a rugged metal housing; dimensions shall be approximately 212 x 44 x 189 mm (8.35" x 1.73" x 7.44"). Weight shall be approximately 1000 grams (2.2 lbs) without antennas and power supply. Operating temperature shall range from -10 °C to +55 °C (+14 °F to +131 °F).

The receiver shall be the Sennheiser EW-D EM.

EW-D SKM-S handheld transmitter

The handheld transmitter shall be for use with a companion receiver as part of a digital wireless RF transmission system.

The handheld transmitter shall operate within ten UHF frequency ranges, with a switching bandwidth of up to 56 MHz: 470.2 – 526 MHz, 520 – 576 MHz, 552 – 607.8 MHz, 606.2 – 662 MHz, 630 – 662 MHz, 662 – 693.8 MHz, 823.2 – 831.8 MHz, 863.2 – 846.8 MHz, 925.2 – 937.3 MHz, 1785.2 – 1799.8 MHz; selectable frequencies shall be up to 2,240.

The audio frequency response shall be between 20 Hz and 20 kHz (-3 dB) @ 3 dBfs. Audio total harmonic distortion (THD) shall be ≤ -60 dB for 1 kHz @ -3 dBfs input level. Dynamic range shall be 134 dB.

A programmable mute switch shall be provided to mute or unmute the audio signal.

The handheld transmitter's parameters shall be configurable in the associated receiver's menu and synchronized with the handheld transmitter via Bluetooth Low Energy (BLE).

Power shall be supplied to the handheld transmitter by two 1.5 V AA size batteries or by one Sennheiser BA 70 rechargeable battery pack. Operating time shall be typically 12 hours with a battery pack and up to 8 hours with AA batteries.

Occupied bandwidth shall be 200 kHz. Transmit power (radiated) shall be 10 mW ERP (1785.2 – 1799.8 MHz Range: 12 mW ERP).

The handheld transmitter shall have a rugged metal housing; dimensions shall be approximately 50 mm (1.97") in diameter and 268 mm (10.55") in length including a Sennheiser MMD 835 microphone module. Weight including MMD 835 microphone module shall be approximately 304 grams (0.67 lbs). Operating temperature shall range from -10 °C to +55 °C (+14 °F to +131 °F).

A range of different microphone heads shall be available for the handheld transmitter.

The handheld transmitter shall be the Sennheiser EW-D SKM-S.



Evolution Wireless Digital

ARCHITECT'S SPECIFICATION

EW-D SK bodypack transmitter

The bodypack transmitter shall be for use with a companion receiver as part of a digital wireless RF transmission system.

The bodypack transmitter shall operate within ten UHF frequency ranges, with a switching bandwidth of up to 56 MHz: 470.2 – 526 MHz, 520 – 576 MHz, 552 – 607.8 MHz, 606.2 – 662 MHz, 630 – 662 MHz, 662 – 693.8 MHz, 823.2 – 831.8 MHz, 863.2 – 846.8 MHz, 925.2 – 937.3 MHz, 1785.2 – 1799.8 MHz; selectable frequencies shall be up to 2,240.

The audio frequency response shall be between 20 Hz and 20 kHz (-3 dB) @ 3 dBfs. Audio total harmonic distortion (THD) shall be \leq -60 dB for 1 kHz @ -3 dBfs input level. Dynamic range shall be 134 dB.

A programmable mute switch shall be provided to mute or unmute the audio signal.

The bodypack transmitter's parameters shall be configurable in the associated receiver's menu and synchronized with the bodypack transmitter via Bluetooth Low Energy (BLE).

Power shall be supplied to the bodypack transmitter by two 1.5 V AA size batteries or by one Sennheiser BA 70 rechargeable battery pack. Operating time shall be typically 12 hours with a battery pack and up to 8 hours with AA batteries.

Occupied bandwidth shall be 200 kHz. Transmit power (radiated) shall be 10 mW ERP (1785.2 – 1799.8 MHz Range: 12 mW ERP).

The bodypack transmitter shall have a rugged metal housing; dimensions shall be approximately 63 x 80 x 20 mm (2.48" x 3.15" x 0.79") without antenna. Weight without the batteries shall be approximately 120 grams (0.26 lbs). Operating temperature shall range from -10 °C to +55 °C (+14 °F to +131 °F).

The bodypack transmitter shall be compatible with microphones for every application: Sennheiser lavalier microphones ME 2, ME 4, MKE 1, MKE 2 Gold and MKE Essential Omni, Sennheiser headset microphones HS 2, HSP 2, HSP Essential Omni, ME 3 and SL Headmic 1.

The bodypack transmitter shall be the Sennheiser EW-D SK.